

Superlux[®]

R102MKII
FULL BANDWIDTH
RIBBON MICROPHONE

R102
CLASSICAL RIBBON MICROPHONE

Contact

Marketing and sales

Superlux Taiwan

+886-2-26931323

sales@superlux.com.tw

support@superlux.com.tw

Manufacturing & logistics

Superlux Enterprise

Development (Shanghai) Co., Ltd.

R102MKII

FULL BANDWIDTH RIBBON MICROPHONE

R102

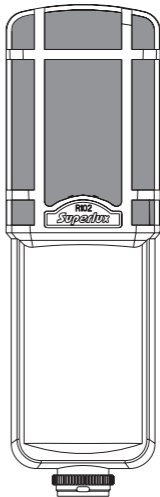
CLASSICAL RIBBON MICROPHONE

GENERAL DESCRIPTION

The R102 series ribbon microphone is especially designed for broadcast and TV recording. With the high sensitivity and flat frequency response as the condenser microphone, it also has the fastest transient response. The R102's classical pure, warm sound texture is ideal for broadcast, string, orchestra and stereo Blumlein recording. It has also been well received when used on live stage music productions.

FEATURE

- Phantom power required
- High sensitivity, high dynamic range, low noise
- Low impedance output, low distortion
- Pre-amplifier with integrated shielding to provide EMI-free performance

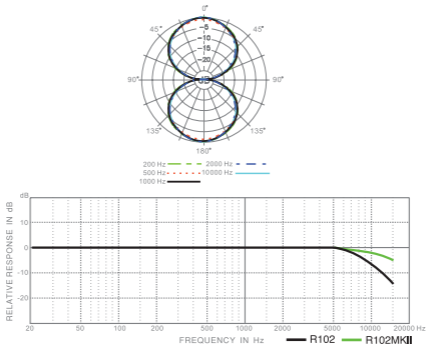


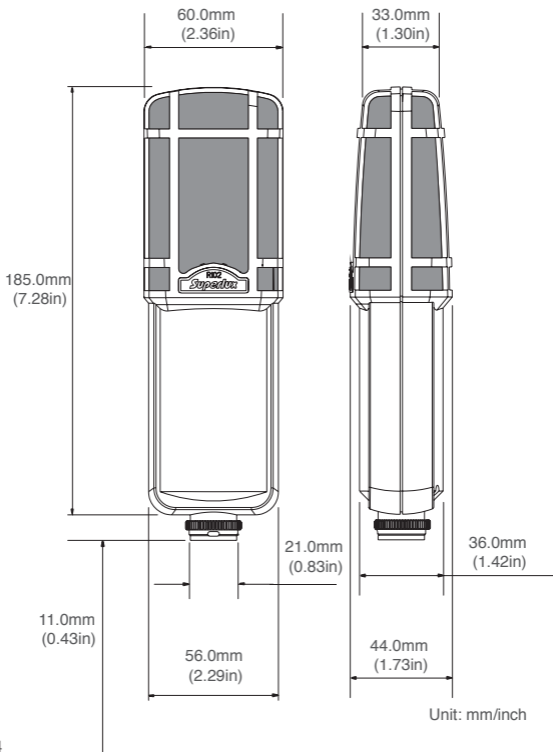
- Figure 8 polar pattern, symmetrical front and back sensitivity
- Easy-to-replace ribbon module

APPLICATIONS

- Miking of sound sources, both distant and close range
- Live broadcasting
- Miking of electric or acoustic guitars
- Reinforcement and recording of vocals, brass instruments, tom-tom and kick drums, percussion instruments, stringed instruments and acoustic piano

R102MKII / R102 FREQUENCY RESPONSE





Specifications

*Note: Specifications are subject to change.

| | |
|---|--|
| Type | Ribbon Microphone |
| Acoustic Theory | Pressure gradient |
| Frequency Response | R102 MKII : 20-18,000 Hz R102 : 25 -15,000 Hz |
| Sensitivity (1.000Hz open circuit voltage) | -40dBV/Pa (10 mV/Pa) 1 Pa= 94 dB SPL |
| Rated Impedance | 250Ω |
| Minimum Load Impedance | 1000Ω |
| S/N Ratio | 76dB |
| Equivalent Noise Level | 18dB |
| Max. Sound Pressure Level | 138dB SPL (THD \leq 0.5% 1kHz) |
| Dynamic Range | 120dB |
| Power Supply | 48V phantom power |
| Current Consumption | 4mA |
| Connector | 3 pin XLR male |
| Net Weight | R102/R102 MKII: 500g (17.6 oz) |

*1Pa=10 microbars=94dB SPL

SUPPLIED ACCESSORIES

R102



6M
Two-core
shield cable



U bracket



A4
Plastic carrying
case

SUPPLIED ACCESSORIES R102MKII



6M
Two-core
shield cable



HM31
Shock mount



HM63
Metal grille
pop filter



Carrying pouch



U bracket



AL3
Aluminum
carrying case

OPTINAL ACCESSORIES



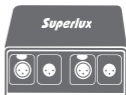
MS158
Big Foot
Willie boom stand



HM48B
Table arm



HM58B
Table arm



PS2A
Phantom
power supply

KNOWING YOUR MICROPHONE



TYPE OF TRANSDUCER DYNAMIC

With a durable and simple structure, it operates in all kinds of environments. A good dynamic microphone is capable of operating at a very high sound pressure level without distortion. Due to structural limits, dynamics cannot be as small as a condenser, but dynamics don't require power to operate.



DIRECTIVITY FIGURE 8, BI-DIRECTIONAL

It is equally sensitive to both ends, and rejects the sides. It is good in a noisy environment because it rejects distant noise and low frequencies. It is also a good choice for stereo recordings, such as Blumlein. It features a typical pressure gradient characteristic.



WARNING! INDICATES A POTENTIALLY HAZARDOUS SITUATION WHICH IF MISHANDLED COULD RESULT IN DEATH OR SERIOUS PERSONAL INJURY OR PROPERTY DAMAGE.

- ※ Do not expose the unit to rain or an environment where it may be splashed by water or other liquids as doing so may result in fire or electric shock.
- ※ Do not attempt to modify this product. Doing so could result in personal injury and/or product failure.
- ※ Do not subject to extreme force and do not pull on the cable, it might cause the product failures.
- ※ Keep this product and the equipment which used together dry and avoid to exposure to extreme high temperature and humidity.



LIMITED WARRANTY

Superlux Enterprise warrants all materials and workmanship under use as instructed by the user's manual of this product for a period of one year from the original date of purchase. Warranty period might be different by each area. Please contact your local dealer for more information. If any defects are found in the materials or workmanship or if the product fails to function properly during the applicable warranty period, Superlux Enterprise, at its option, will repair or replace the product. This warranty applies only to equipment sold and delivered by Superlux Enterprise's authorized distributors or dealers. However, the following are not covered: Damage caused by accident, misuse, abuse, product modification or neglect; damage occurring during shipment; damage resulting from failure to follow instructions contained in your Instruction manual; damage resulting from the performance of repairs by someone not authorized by Superlux; claims based upon any misrepresentations by the seller; any Superlux product on which the serial number has been defaced, modified or removed. Service and repairs of Superlux products are to be performed only at a factory-authorized facility or authorized distributors or dealers. Unauthorized service, repairs, or modification will void this warranty. To obtain repairs under warranty, you must have a copy of your sales receipt from the authorized Superlux dealer where you purchased the product. It is necessary to establish purchase date and determine whether your Superlux product is within the warranty period. To obtain factory authorized service, please contact authorized distributors, dealers or mail to support@superlux.com.tw.