

PRA-535NC

Noise-Canceling Handheld Dynamic Microphone

Description

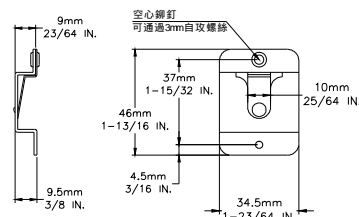
PRA-535NC is a noise-canceling handheld dynamic microphone. Its transducer features high reliability and advanced acoustic construction design; this makes it effective in resisting the ambient noise so as to perform a high level of intelligibility. PRA-535NC is an ideal candidate for speech communication in noisy and traveling environments such as in vehicles, vessels and civil aircrafts, etc.

Features

- Excellent attenuation of the ambient noise
- Excellent in clearness of speech articulation and intelligibility
- Premium durability to high temperature, high humidity, vibration and dropping
- Corrosion-resistant body (against oil, acid and alkali)
- Press-to-talk switch, operation life for 200,000 times of use

Specifications

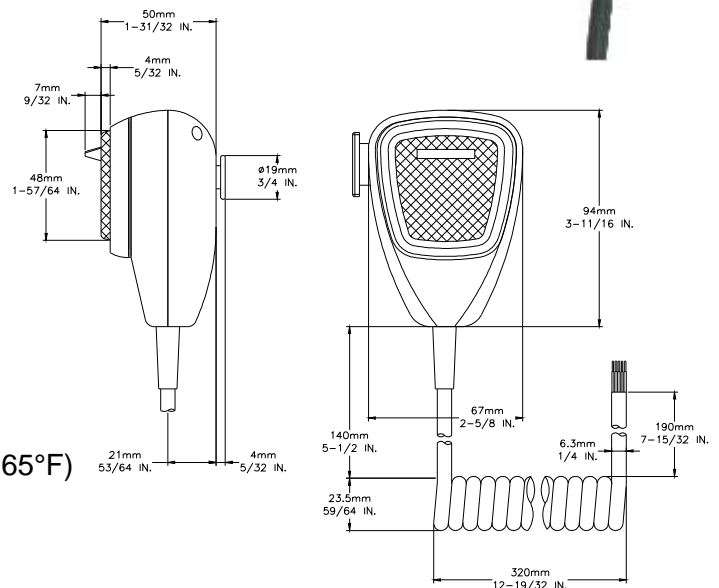
- Type: Noise-Canceling Dynamic
- Frequency response: 100~5000Hz
- Sensitivity: -66 dBV/Pa (0.5 mV/Pa)
- Rated impedance: 200
- Operation temperature range: -40°C~74°C (-104°F~165°F)
- Switch type: Press-to-talk
- Cable: 6.3 mm x 3.4M (1/4" x 11ft)
- Dimension: See diagram on the right
- Weight: 250g (8.8oz.) (cable included); bracket 20 g(0.7oz.)



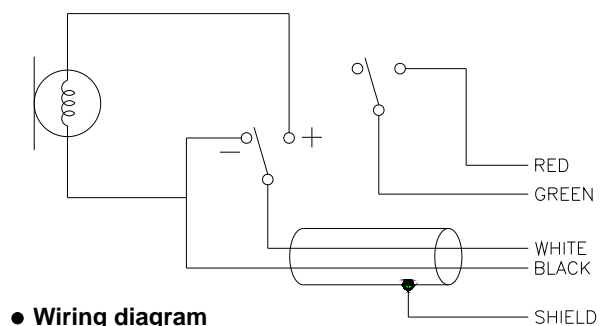
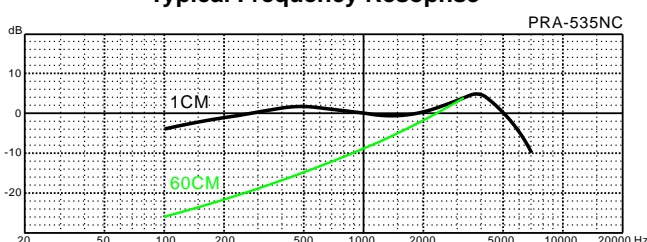
● Bracket dimension diagram



● Microphone dimension diagram



Typical Frequency Resopnse



● Wiring diagram