

Superlux®



Superlux® 舒伯乐

中國地區行銷和業務
021-69223756
superlux@online.sh.cn

國際行銷和業務
+886-2-26931323
sales@superlux.com.tw

marketing and sales
Superlux, Taiwan
+886-2-26931323
sales@superlux.com.tw

manufacturing & logistics.
Superlux Enterprise
Developments(Shanghai)Co.,Ltd.

www.superlux.com.tw

耳機、耳機/麥克風

Headphones & Headsets

*中國地區三年保固期，由工廠直接作售後服務。其他地區依代理商政策而定。

耳機 Headphones

HD668B	2
HD669	4
HD662 Series	6
HD681 Series	8
HD660	10
HD440	12
HD330	14
HD381 Series	16

耳機/麥克風 Headsets

HMC660	18
HMD660	20

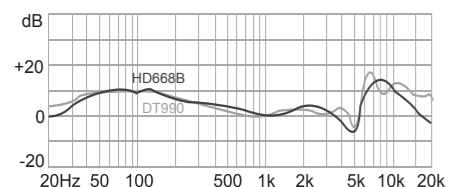
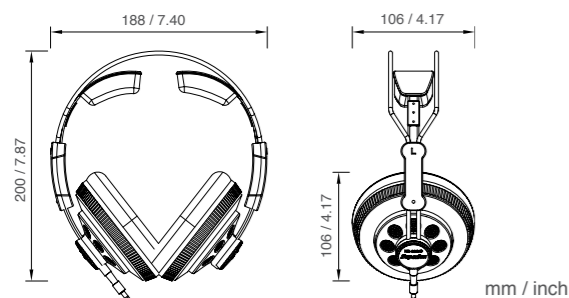
耳機擴大機 Portable Headphone Amplifier

HA3D	22
------	----

HD668B

專業錄音棚標準監聽用耳機
Professional Studio Standard Headphones

● 錄音室 Studio



頻率響應圖

HD668B與DT990有相近的頻率響應。HD668B自然且極佳的平衡音色，呈現清澈透明及高解析度，是最佳的專業監聽等級應用的耳機。

Frequency Response

Both the HD668B and DT990 have a similar frequency curve. The HD668B delivers a natural and excellently balanced sound, presenting the crystal clarity and high resolution demanded by professional users.

*以上表列之各式耳機的頻率響應比對圖是在國標 IEC318 仿真耳測試條件下所得之結果，僅供參考。
*FR charts shown above are test results determined by China Standard IEC318 ear simulation.

隨貨附件 Furnished Items



概述

HD668B是一支半開放動圈式耳機，專門設計來滿足專業錄音棚耳機所需的技術規格，其平衡而保真的音色，更能協助專業音響工程師在混音及後製時，找出聲音的問題點。本耳機具有獲得專利的耐用的頭墊結構，重量輕及舒適的耳罩壓力，在長時間配戴下仍然服貼舒適。另外容易替換及清潔的耳罩體貼你的耳朵。HD668B含有兩條直的可分離耳機線，長的有1公尺長，長的有3公尺長，以應用於個人音樂欣賞及錄音時之不同用途。內含線扣用以抓住可分離之耳機線，以預防被拉扯而脫落。

特徵

- 專業錄音棚標準監聽級耳機
- 高解析度驅動器
- 精密調整聲學腔體
- 專利堅固結構設計與製造
- 舒適自動調整頭墊
- 舒適且耐用耳罩
- 可分離，單邊出線
- 優化夾力設計
- 輕量化設計
- 內含線扣

規格

- 型式**
動圈、半開放式
- 驅動單元**
Φ50mm, 鈹鐵
- 靈敏度**
98dB SPL (1mW) at 1KHz
- 頻率響應**
10 - 30,000Hz
- 最大輸入功率**
300 mW
- 額定阻抗**
56 Ω
- 耳罩**
人造皮
- 線材**
1米及3米直線，單邊出線；線材可與耳機分離(3.5mm接頭)
- 接頭**
鍍金立體3.5mm接頭
- 耳罩至耳朵的壓力**
約3.5牛頓
- 淨重(不含線)**
222g / 7.8 oz

替換零件 Replacements Parts



f EPK601

相關產品 Related Products



g FD3YW/S h HA3D

隨貨附件

- 便攜袋
料號KW100068101SU
- 1米直線
型號FD1YW
- 3米直線
型號FD3YW
- 3.5/6.3mm鍍金立體轉接頭
料號JA10063350902
- 線扣
料號LA1HD668B0100

替換零件

- 耳罩套件
型號EPK601 (含一對耳罩及一對防塵海棉片)

相關產品

- 3米長卷線
型號FD3YW/S
- HA3D高品質耳機放大器

Overview

The HD668B is a semi-open dynamic headphone whose sound quality meets the demands of even professional recording studios. The balanced and high definition sound of the HD-668B assures that a professional sound engineer can have full confidence when mixing down or during post production. Its patented sturdy headband structure provides long-lasting durability even in challenging conditions, yet its light weight and optimized mechanical pressure provides long-term wearing comfort. The HD668B comes equipped with 2 detachable straight cables:

The short cable is 1 meter long for personal sound source on-the-move applications and the long cable is 3 meters long for professional monitoring applications. These cables can be connected together for even more distance if desired. Included cable clip can secure detachable cable from pulling out by incident.

Features

- Professional studio standard monitoring headphones
- High resolution drivers
- Precision tuned acoustic chamber
- Patented durable structure
- Comfortable, self-adjusting headband pads
- Comfortable, long-lasting ear pads
- Detachable, single side cable
- Optimized headband pressure
- Light weight
- Cable clip included

Specifications

- Type**
Dynamic, semi-open
- Driver**
Φ50mm, neodymium
- Sound Pressure Level**
98dB SPL (1mW) at 1KHz
- Frequency Response**
10 - 30,000Hz
- Max. Input Power**
300 mW
- Rated Impedance**
56 Ω
- Ear pads**
leatherette
- Cables**
1 m & 3m straight, single-sided; plug-in cable on headphones (mini stereo connector)
- Connector**
Gold plated stereo mini jack
- Headphone Caliper Pressure**
Approx. 3.5N
- Weight (without cable)**
222 g / 7.8 oz

Furnished Items

- Soft carrying pouch
P/N KW100068101SU
- 1m(3') straight cable
model# FD1YW
- 3m(9.8') straight cable
model# FD3YW
- 3.5/6.3mm(1/8" to 1/4") gold-plated stereo adapter
P/N JA10063350902
- Cable clip
P/N LA1HD668B0100

Replacement Parts

- Ear Pad Kit
model# EPK601 (includes a pair of ear pads and a pair of foam disks)

Related Products

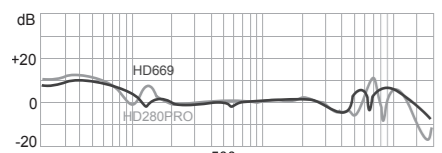
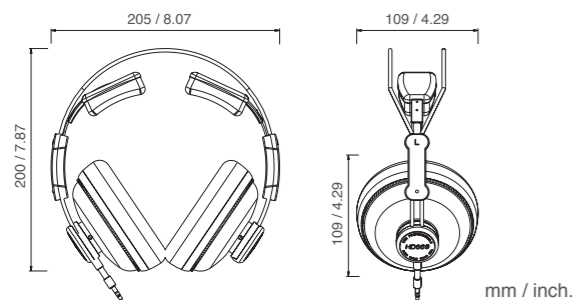
- 3m(9.8') Coiled Cable
model# FD3YW/S
- HA-3D Headphone Amplifier

HD669

專業錄音棚標準監聽級耳機

Professional Studio Standard Monitoring Headphones

● 錄音室 Studio



*以上表列之各式耳機的頻率響應比對圖是在國標 IEC318 仿真耳測試條件下所得之結果，僅供參考。
*FR charts shown above are test results determined by China Standard IEC318 ear simulation.

頻率響應圖

HD669與HD280PRO有相近的頻率響應。HD669自然且極佳的平衡音色，呈現清澈透明及高解析度，是最佳的專業監聽等級應用的耳機。

Frequency Response

Both the HD669 and HD280PRO have a similar frequency curve. HD669 delivers natural and excellent balanced sound, presenting the crystal clarity and high resolution demanded by professional users.

隨貨附件 Furnished Items



概述

HD669是一支全閉式耳機，專門設計給專業錄音棚監聽的應用，這是一支應用廣泛的耳機，它的封閉隔噪效果極佳，縱使在高噪音的環境或是戶外現場錄音都非常適合。其平衡而保真，以及清晰不漏細節的聲音表現，更能協助專業音響工程師在錄音時，找出聲音的問題點。本耳機具有獲得專利的耐用的頭墊結構，重量輕及舒適的耳罩壓力，在長時間配戴下仍然服貼舒適。另外容易替換及清潔的耳罩體貼你的耳朵。HD669含有兩條直的可分離耳機線，短的有1公尺長，長的有3公尺長，以應用於個人音樂欣賞及錄音時之不同用途。內含線扣用以抓住可分離之耳機線，以防被拉扯而脫落。

特徵

- 高解析度驅動器
- 精密調整聲學腔體
- 專利堅固結構設計與製造
- 舒適自動調整頭墊
- 舒適且耐用耳罩
- 可分離，單邊出線
- 優化夾力設計
- 輕量化設計
- 內含線扣

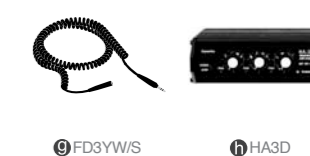
規格

- 型式**
動圈、封閉式
- 驅動單元**
Φ50mm, 鈹鐵
- 靈敏度**
98dB SPL (1mW) at 1KHz
- 頻率響應**
10 – 30,000Hz
- 最大輸入功率**
200 mW
- 額定阻抗**
56 Ω
- 耳罩**
人造皮
- 線材**
1米及3米直線，單邊出線;線材可與耳機分離(3.5mm接頭)
- 接頭**
鍍金立體3.5mm接頭
- 耳罩至耳朵的壓力**
約5牛頓
- 淨重(不含線)**
235 g / 8.3 oz

替換零件 Replacements Parts



相關產品 Related Products



隨貨附件

- a. 便攜袋
料號 KW100068101SU
- b. 1米直線
型號 FD1YW
- c. 3米直線
型號 FD3YW
- d. 3.5/6.3mm鍍金立體轉接頭
料號 JA10063350902
- e. 線扣
料號 LA1HD668B0100

替換零件

- f. 耳罩套件
型號 EPK602
(含一對耳罩及一對防塵海棉片)

相關產品

- g. 3米長卷線
型號 FD3YW/S
- h. HA3D高品質耳機放大器

Overview

The HD HD669 are closed-back, circumaural headphones designed for professional monitoring applications. Although suitable for a very wide range of applications, the exceptional attenuation of external noise makes the HD 669 particularly useful for use in a high-noise environment. The balanced, high definition and clarity sound of the HD-669 assures that a professional sound engineer can have full confidence when recording or monitoring. Its patented sturdy headband structure provides long-lasting durability even in challenging conditions, yet its light weight and optimized mechanical pressure provides long-term wearing comfort. The HD669 comes equipped with 2 detachable straight cables:

The short cable is 1 meter long for personal sound source on-the-move applications and the long cable is 3 meters long for professional monitoring applications. These cables can be connected together for even more distance if desired. Included cable clip can secure detachable cable from pulling out by incident.

Features

- Professional studio standard monitoring headphones
- High resolution drivers
- Precision tuned acoustic chamber
- Patented durable structure
- Comfortable, self-adjusting headband pads
- Comfortable, long-lasting ear pads
- Detachable, single side cable
- Optimized headband pressure
- Light weight
- Cable clip included

Specifications

- Type**
Dynamic, Closed-back
- Driver**
Φ50mm, neodymium
- Sound Pressure Level**
98dB SPL (1mW) at 1KHz
- Frequency Response**
10 – 30,000Hz
- Max. Input Power**
200 mW
- Rated Impedance**
56 Ω
- Ear pads**
leatherette
- Cables**
1 m & 3m straight ,single-sided; plug-in cable on headphones (mini stereo connector)
- Connector**
Gold plated stereo mini jack
- Headphone Caliper Pressure**
Approx. 5N
- Weight (without cable)**
235g / 8.3 oz

Furnished Items

- a. Soft carrying pouch
P/N KW100068101SU
- b. 1m(3') straight cable
model# FD1YW
- c.3m(9.8') straight cable
model# FD3YW
- d. 3.5/6.3mm(1/8" to 1/4") gold-plated stereo adapter
P/N JA10063350902
- e. Cable clip
P/N LA1HD668B0100

Replacement Parts

- f. Ear Pad Kit
model# EPK602
Ear Pad kit(includes a pair of ear pads and a pair of foam disks)

Related Product

- g. 3m(9.8') Coiled Cable
model# FD3YW/S
- h. HA-3D Headphone Amplifier

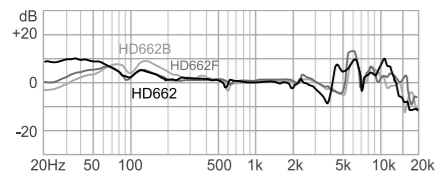
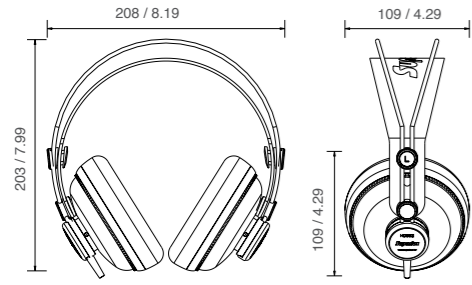
HD662 Series

HD662, HD662B, HD662F

專業監聽級耳機

Professional Monitoring Headphones

● 錄音室及舞台監聽 Studio & onstage



*以上表列之各式耳機的頻率響應比對圖是在國標 IEC318 仿真耳測試條件下所得之結果，僅供參考。
*FR charts shown above are test results determined by China Standard IEC318 ear simulation.



HD662 / Red 紅



HD662

深沉而豐富的低頻響應--置身舞台的臨場感。HD662與DT770有近似曲線，並具有深沉自然而平衡音色。

Deep and rich bass response "On stage" sound feel. Both HD662 and DT770 have a similar curve. HD662 delivers deep bass, natural and well-balanced sound.



HD662F

真實的低頻響應--置身前排貴賓席的音場。HD662F與SRH440有近似曲線，並具有真實的低頻響應、水晶般清晰及精準的音色。

True bass response "Front row" sound feel. Both HD662F and SRH-440 have a similar curve. HD662F delivers true bass response, crystal clarity and precise sound characters.



HD662B

力度飽滿的低音-置身音樂廳中場。HD662B與SRH840有近似曲線，並具有精準調校的頻響重現力度的低頻、清晰的中頻及延伸的高頻。

powerful bass punch "In hall" sound feel Both HD662B and SRH840 have a similar curve. HD662B delivers precisely tailored frequency response with powerful bass punch, clear mid-range and extended highs.

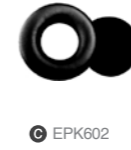
隨貨附件 Furnished Items



概述

HD662系列含有三種不同的音色，HD662深沉而豐富的低頻響應；HD662F真實的低頻表現；HD662B力度飽滿的低音，展現低音的衝擊力道。三支耳機的音場可比擬為HD662是與演唱者一起在舞台上共舞，HD662F如同在前排的貴賓席，而HD662B就像是置身在音樂廳中一般具有景深與空間感。這三支耳機不僅各具特色，而且重現聲音的清晰、準確及平衡的音色。舒適耳罩加上質輕自動調整的頭帶結構，給你帶來無比的舒適感受。無論在監聽、混音、聆聽MP3或享受音樂，你都可以期待HD662系列為你帶來豐富的音樂及舒適的感受。

替換零件 Replacements Parts



特徵

- 封閉、環繞式耳罩設計
- 高隔離噪音效果
- 自動調整頭帶，給予最佳的頭型吻合及舒適
- 單耳入線，直線導線
- 專業品質及令人稱羨的價格
- 最環保並不失展示及儲存需要的包裝設計

規格

型式
動圈、封閉式
驅動單元
Φ50mm, 鈹鐵
靈敏度
98dB SPL (1mW) at 1KHz
頻率響應
10 - 30,000Hz
最大輸入功率
HD662 - 200 mW
HD662B & HD662F - 300 mW
額定阻抗
32 Ω
耳罩
人造皮
線材
2.5米直線，單邊出線
接頭
螺紋鎖入鍍金立體3.5mm接頭
耳罩至耳朵的壓力
約5牛頓
淨重(含線)
286g / 10.05 oz

隨貨附件

- 便攜袋
料號 KW100068101SU
- 螺紋鎖入鍍金立體轉換接頭
料號 JA10063350900

替換零件

- 耳罩套件
型號 EPK602 (含一對耳罩及一對防塵海棉片)

Overview

The HD662 series offer three distinctive sound profiles, each with its own character: The HD662 features a deep and rich bass, the HD662F has a true bass response, and the HD662B has a powerful bass punch. As for the sound image presented by these headphones, the HD662 gives you the feeling of actually being on stage with the artists while the HD662F makes you feel as if you sitting on the front row and the HD662B puts you in the middle of the concert hall. These three headphones also deliver clarity, accurate and well-balance sound. The ergonomically-designed vinyl ear pieces combined with light weight and self-adjusting headband of these headphones make them very comfortable. Whether you are monitoring, tracking, mixing or just listening to your mp3 music, you can expect comfort and sonic accuracy from HD662 series headphones.

Features

- Closed-back circumaural earphones
- High noise attenuation
- Self-adjusting headband for great fit and maximum comfort
- Single sided, straight cable
- Outstanding quality and value
- Environmentally friendly packaging, great for displays and ease to store

Specifications

Type
Dynamic, Closed-back
Driver
Φ50mm, neodymium
Sound Pressure Level
98dB SPL (1mW) at 1KHz
Frequency Response
10 - 30,000Hz
Max. Input Power
HD662: 200 mW
HD662B & HD662F: 300 mW
Rated Impedance
32 Ω
Ear pads
leatherette
Cables
2.5 m (8.2 ft.) straight, single-sided
Connector
Screw-on gold plated stereo mini jack
Headphone Caliper Pressure
Approx. 5N
Weight (with cable)
286 g/ 10.05 oz

Furnished Items

- Soft carrying pouch
P/N KW100068101SU
- Screw-on gold-coated 3.5mm/6.3mm stereo adapter
P/N JA10063350900

Replacement Parts

- Ear Pad Kit
model #EPK602 (includes a pair of ear pads and a pair of foam disks)

HD681 Series

HD681, HD681B, HD681F

專業監聽級耳機

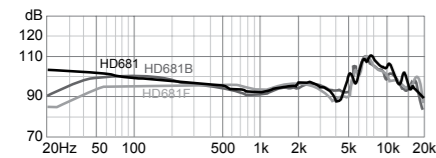
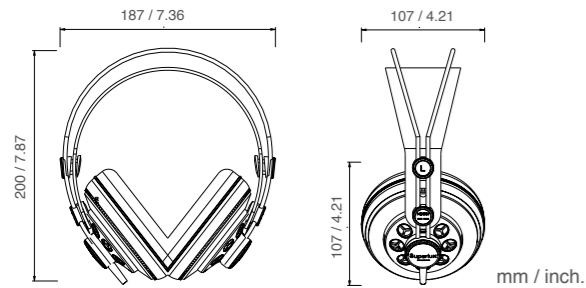
Professional Monitoring Headphones

● 錄音室 Studio



HD681F / White 白

HD681B / Gray 灰



*以上表列之各式耳機的頻率響應比對圖是在國標 IEC318 仿真耳測試條件下所得之結果，僅供參考。
*FR charts shown above are test results determined by China Standard IEC318 ear simulation.



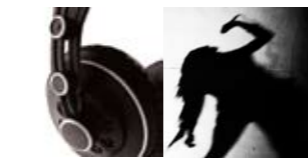
HD681 / Red 紅



HD681

深沉的低頻，置身舞台並享受古典樂之美及大場景電影的震撼。HD681 曲線趨近於 P 牌 HP890，但在音色甜美、明亮與解析度上有令人愉悅的表現，當重現古典樂音色時，更讓人驚訝於它的寬廣、清晰與動能。

Deep low frequency "On stage" sound, perfect for enjoying the beauty of classical music & other large ensembles. Both the HD681 & P-brand HP890 have a similar curve, presenting a bright and clear sound. When playing classical music, the HD681 will surprise you with its breadth, clarity and dynamic presence.



HD681F

平坦的頻率響應，前排貴賓席的音場並享受流行樂及甜美的人聲。HD681F 曲線近似 A 牌 AD500，然而 HD681F 的人聲更加甜美，歌者好似站在你面前，向你傾訴一般。

Flat extended frequency response "Front row" sound image, great for pop music and capturing that sweet vocal sound. Both the HD681F & A-brand AD500 have a similar curve. The HD681F delivers a sweet sound, just as if the singer was standing right in front of you.



HD681B

平衡、加上有力度的低音，置身演藝廳中並享受搖滾樂的衝擊及遊戲機快感。HD681B 曲線近似 A 牌 K240 Studio。HD681B 在優化低頻及整體音色的平衡感上，有更突出的表現，讓你不自覺地隨著節奏而舞動起來。

Balanced character and powerful bass "In hall" feel, great for enjoying rock music and similar exciting performance. Both the HD681B & A-brand K240 Studio have a similar curve. The HD681B optimizes a powerful bass and balanced tone, and it will be difficult to resist the urge to dance to the rhythm from your headphones.

隨貨附件 Furnished Items



a KW100068101SU

b JA10063350900

替換零件 Replacements Parts



c EPK601

概述

HD681 系列耳機含有三種不同的音色，HD681 的特色是深沉的低音；HD681F 具有平坦的頻率響應；HD681B 是平衡且具有力度的低音。三支耳機的音場可比擬為 HD681 是與演唱者一起在舞台上共舞，HD681F 如同在前排的貴賓席，而 HD681B 就像是置身在音樂廳中一般具有景深與空間感。這三支耳機不僅各具特色而且傳送極佳的平衡及水晶般透明的細節。舒適耳罩加上質輕自動調整式的頭帶結構，給你帶來無比的舒適感受。無論在監聽、混音、聆聽 MP3 或享受音樂，你都可以期待 HD681 系列為你帶來舒適感受及精準的音色。

特徵

- 精準及透明具細節的音色
- 半開放、環繞式耳罩設計
- 自動調整頭帶，給予最佳的頭型吻合及舒適
- 單耳入線，直線導線
- 專業品質及令人稱羨的價格
- 最環保並不失展示及儲存需要的包裝設計

規格

- 型式
動圈、半開放式
- 驅動單元
Φ50mm, 鈹鐵
- 靈敏度
98dB SPL (1mW) at 1KHz
- 頻率響應
10 – 30,000Hz
- 最大輸入功率
300 mW
- 額定阻抗
32 Ω
- 耳罩
人造皮
- 線材
2.5米直線，單邊出線
- 接頭
螺紋鎖入鍍金立體3.5mm接頭
- 耳罩至耳朵的壓力
約3.5牛頓
- 淨重(含線)
276g / 9.75 oz

隨貨附件

- 便攜袋
料號 KW100068101SU
- 螺紋鎖入鍍金立體轉換接頭
料號 JA10063350900

替換零件

- 耳罩套件
EPK601 (含一對耳罩及一對防塵海棉片)

Overview

The HD681 series headphones offer 3 distinctive sound profiles, each with its own character :

The HD681 features an exceptionally deep low frequency, the HD681F has a flat extended frequency response, and the HD681B has an excellent balanced character, and powerful bass punch. As for the sound image presented by these headphones, the HD681 gives you the feeling of actually being on stage with the artists while the HD681F makes you feel as if you sitting on the front row and the HD681B puts you in the middle of the concert hall, enjoying a deep, rich sound.

These three headphones also deliver excellent balance and clarity. The ergonomically-designed vinyl ear pieces combined with the lightweight and self-adjusting headband of these headphones make them very comfortable.

Whether you're monitoring, tracking, mixing, or just listening to an MP3 or other audio source, you can expect comfort and sonic accuracy from your HD681 series headphones.

Features

- Accurate and detailed sound greatly enhances your listening experience
- Semi-open circumaural earphones
- Self-adjusting headband for great fit and maximum comfort
- Single sided, straight cable
- Outstanding quality and value
- Environmentally friendly packaging, great for displays and ease to store

Specifications

- Type**
Dynamic, semi-open
- Driver**
Φ50mm, neodymium
- Sound Pressure Level**
8dB SPL (1mW) at 1KHz
- Frequency Response**
10 – 30,000Hz
- Max. Input Power**
300 mW
- Rated Impedance**
32 Ω
- Ear pads**
leatherette
- Cables**
2.5 m (8.2 ft.) straight, single-sided
- Connector**
Screw-on gold plated stereo mini jack
- Headphone Caliper Pressure**
Approx. 3.5N
- Weight (with cable)**
276 g / 9.75 oz

Furnished Items

- Soft carrying pouch
P/N KW100068101SU
- Screw-on gold-coated 3.5mm/6.3mm stereo adapter
P/N JA10063350900

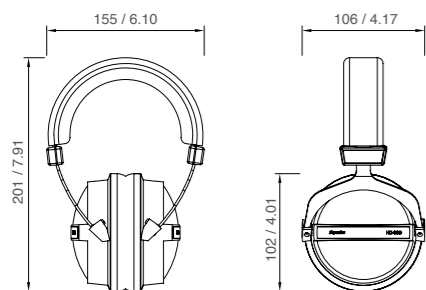
Replacement Parts

- Ear Pad Kit
model #EPK601 (includes a pair of ear pads and a pair of foam disks)

HD660

專業錄音棚監聽級耳機 Professional Monitoring Headphones

● 錄音室 Studio



mm / inch.

隨貨附件 Furnished Items



a. JA10063350900 b. KQ10000A70100

替換零件 Replacements Parts



c. AU10006600101 d. AI10006600200

概述

HD660是一支封閉式動圈耳機，設計給專業人士所使用。準確的音色及舒適的頭戴，使得HD660是一支可應用於錄音棚、後製作或是廣播用的最佳監聽耳機。透過精密調校的頻率響應，讓HD660能夠提供極佳的清晰度以及自然且平衡的音色。柔軟的耳罩、可調的滑動頭戴及耳罩，讓長時間工作的你，仍感舒適。在運送過程中，塑膠保存盒的設計，能妥善保護耳機。

特徵

- 封閉、擴散場式系統
- 自然、平衡的音色
- 極佳細節的中、高音重現
- 高隔離噪音效果
- 耐用的頭戴結構及優化夾力設計
- 單邊出線

規格

型式
動圈、封閉式

驅動單元
Φ40mm, 鈹鐵

靈敏度
96dB SPL (1mW) at 1KHz

頻率響應
10 – 30,000Hz

最大輸入功率
100 mW

額定阻抗
150 Ω

耳罩
人造皮

線材
3米卷線，單邊出線

接頭
鍍金立體3.5mm接頭

耳罩至耳朵的壓力
約6牛頓

淨重(含線)
250g / 8.8 oz

隨貨附件

- a. 3.5/6.3mm鍍金立體螺牙轉入轉接頭
料號 JA10063350900
- b. 便攜塑膠盒
料號 KQ10000A70100

替換零件

- c. 耳罩
料號 AU10006600101
- d. 防塵海棉
料號 AI10006600200

Overview

The HD660 is a closed dynamic headphone for the most demanding professionals. The accurate sound profile and comfortable headband make the HD660 the perfect monitoring headphone for recording studios, post production or broadcasting applications.

With a carefully tailored frequency response, the HD660 offers an excellent clarity of sound with a natural and balanced character. Soft earpads and adjustable, sliding earpieces, together with a single-sided connecting cable, ensure listening comfort during long-term use. A durable plastic storage box ensures secure protection during transportation.

Features

- Professional monitoring headphones
- Closed, diffuse-field systems
- Natural and well-balanced sound profile
- Ultra-detailed high and mid-range reproduction
- High noise attenuation
- Durable headband construction with optimized pressure
- Single side cable

Specifications

Type
Dynamic, Closed-back

Driver
Φ40mm, neodymium

Sound Pressure Level
96dB SPL (1mW) at 1KHz

Frequency Response
10 – 30,000Hz

Max. Input Power
100 mW

Rated Impedance
150Ω

Ear pads
leatherette

Cables
3m coiled, single-sided cable

Connector
Gold plated stereo mini jack

Headphone Caliper Pressure
Approx. 6N

Weight (with cable)
250g / 8.8 oz

Furnished Items

- a. 3.5/6.3mm(1/8" to 1/4") gold-plated stereo screw-on adapter
P/N JA10063350900
- b. Plastic carrying case
P/N KQ10000A70100

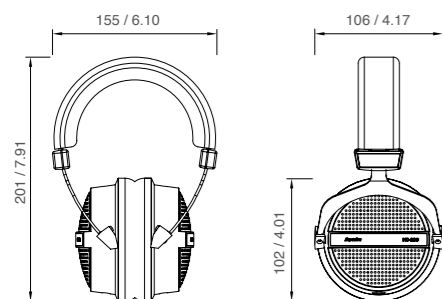
Replacement Parts

- c. Ear pad
P/N AU10006600101
- d. Foam disk
P/N AI10006600200

HD330

高傳真立體耳機 Audiophile Headphones

● 一般目的 General purpose



mm / inch.

隨貨附件 Furnished Items



a. JA10063350900 b. KQ10000A70100

替換零件 Replacements Parts



● AU10006600101 ● AI10006600200

概述

HD330是一支半開放式動圈高傳真耳機，適用於大部份不同音樂型態。準確及優美的音色加上舒適的頭戴，使得HD330是一支完美的耳機，可滿足音樂的愛好者及專業的錄音工程師。透過精密調校的頻率響應及適當補強的低音，讓HD330能夠提供有力度的低頻、極佳的清晰度以及自然且平衡的音色。柔軟的耳罩、可調的滑動頭戴及耳罩，讓長時間工作的你，仍感舒適。在運送過程中，塑膠保存盒的設計，能妥善保護耳機。

特徵

- 低音增強
- 自然、平衡的音色
- 極佳細節的中、高音重現
- 耐用的頭戴結構及優化夾力設計
- 單邊出線

規格

型式
動圈、半開放式

驅動單元
Φ40mm, 鈹鐵

靈敏度
96dB SPL (1mW) at 1KHz

頻率響應
10 - 30,000Hz

最大輸入功率
100 mW

額定阻抗
150 Ω

耳罩
人造皮

線材
3米卷線，單邊出線

接頭
鍍金立體3.5mm接頭

耳罩至耳朵的壓力
約6牛頓

淨重(含線)
250g / 8.8 oz

隨貨附件

- 3.5/6.3mm鍍金立體螺牙轉入轉接頭
料號 JA10063350900
- 便攜塑膠盒
料號 KQ10000A70100

替換零件

- 耳罩
料號 AU10006600101
- 防塵海棉
料號 AI10006600200

Overview

The HD330 is a semi-open dynamic audiophile headphone suitable for most kinds of music. The accurate sound profile and comfortable headband make the HD330 the perfect headphone for both the music enthusiast and the professional recording engineer.

With a carefully tailored frequency response and enhanced bass, the HD330 offers a bass punch and excellent clarity of sound with a natural and balanced character. Soft earpads and adjustable, sliding earpieces, together with a single-sided connecting cable, ensure listening comfort during long-term use. A sturdy plastic storage box ensures secure protection during transportation.

Features

- Enhanced bass
- Natural and well-balanced sound profile
- Ultra-detailed high and mid-range reproduction
- Durable headband construction with optimized pressure
- Single sided cable

Specifications

Type
Dynamic, semi-open

Driver
Φ40mm, neodymium

Sound Pressure Level
96dB SPL (1mW) at 1KHz

Frequency Response
10 - 30,000Hz

Max. Input Power
100 mW

Rated Impedance
150 Ω

Ear pads
leatherette

Cables
3m coiled, single-sided cable

Connector
Gold plated stereo mini jack

Headphone Caliper Pressure
Approx. 6N

Weight (with cable)
250g / 8.8 oz

Furnished Items

- 3.5/6.3mm(1/8" to 1/4") gold-plated stereo screw-on adapter
P/N JA10063350900
- Plastic carrying case
P/N KQ10000A70100

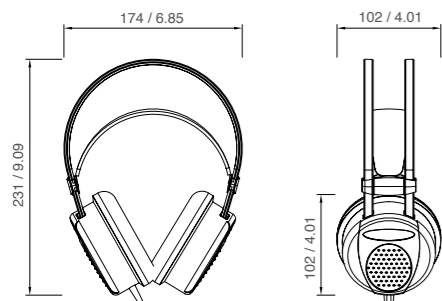
Replacement Parts

- Ear pad
P/N AU10006600101
- Foam disk
P/N AI10006600200

HD440

低音震撼立體耳機 Booming Bass Headphones

● 個人娛樂及電腦遊戲 Entertainment & Computer gaming



mm / inch.

隨貨附件 Furnished Items



替換零件 Replacements Parts



概述

HD-440具有震撼的低音及清晰透亮的高音。適合聆聽各種音樂。尤其應用於電腦遊戲，效果更佳。HD-440具有自動調整的頭帶，舒適的夾力、在長時間欣賞音樂時，仍能舒適自在。塑膠保存盒的設計，能妥善保護耳機。

特徵

- 適合聆聽各種音樂
- 自動調整的頭帶提供最佳的舒適度
- 高隔離噪音效果，不干擾他人
- 單邊出線

規格

型式
動圈、封閉式

驅動單元
Φ40mm, 鈹鐵

靈敏度
96dB SPL (1mW) at 1KHz

頻率響應
20 – 20,000Hz

最大輸入功率
100 mW

額定阻抗
150 Ω

耳罩
人造皮

線材
3米卷線，單邊出線

接頭
鍍金立體3.5mm接頭

耳罩至耳朵的壓力
約4牛頓

淨重(含線)
300g / 10.6 oz

隨貨附件

- a. 3.5/6.3mm鍍金立體螺牙轉入轉接頭
料號 JA10063350900
- b. 便攜塑膠盒
料號 KQ10000A70100
- 替換零件**
- c. 耳罩
料號 AU10006600101
- d. 防塵海棉
料號 AI10006600200

Overview

The HD440 features a booming bass and crystal-clear high frequency. It's great for most kinds of music and exceptional for computer gaming. The included self-adjusting headband and optimized headband pressure offer a truly comfortable fit for long-term use. The included sturdy plastic storage box ensures secure protection during transportation.

Features

- Booming bass headphones
- Great for most kinds of music
- Self-adjusting headband for optimum fit
- High noise attenuation for optimum ambient-noise control
- Single side cable

Specifications

Type
Dynamic, closed-back

Driver
Φ40mm, neodymium

Sound Pressure Level
96dB SPL (1mW) at 1KHz

Frequency Response
20 – 20,000Hz

Max. Input Power
100 mW

Rated Impedance
150 Ω

Ear pads
leatherette

Cables
3m coiled, single-sided cable

Connector
Gold plated stereo mini jack

Headphone Caliper Pressure
Approx. 4N

Weight (with cable)
300g / 10.6 oz

Furnished Items

- a. 3.5/6.3mm(1/8" to 1/4") gold-plated stereo screw-on adapter
P/N JA10063350900
- b. Plastic carrying case
P/N KQ10000A70100

Replacement Parts

- c. Ear pad
P/N AU10006600101
- d. Foam disk
P/N AI10006600200

HD381 Series

HD381, HD381B, HD381F

監聽級入耳式耳機

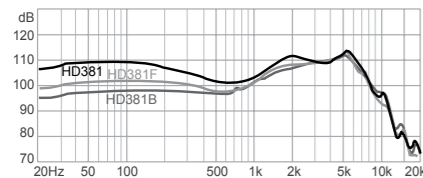
In-ear Monitor Headphones

● 個人娛樂及入耳式監聽 Entertainment & In Ear Monitor

HD381F / White 白 HD381B / Gray 灰



HD381 / Black 黑



*以上表列之各式耳機的頻率響應比對圖是在國標 IEC318 仿真耳測試條件下所得之結果，僅供參考。
*FR charts shown above are test results determined by China Standard IEC318 ear simulation.



HD381

豐富的低頻及充滿魄力的重低音，置身舞台並享受--重低音的震撼。HD381曲線趨近於S牌CX400，豐富的低頻能量，讓你領略超低音的震撼與魄力。
Rich bass and powerful low end, "On stage" sound, perfect for enjoying that booming bass sound.
Both the HD381 & S-brand CX400 have a similar curve, presenting a pronounced bass presence. The HD381 will surprise you with its powerful low end performance.



HD381F

平衡的頻率響應，前排貴賓席的音場--適合大部份的音樂並具甜美的人聲。HD381F曲線近於S牌MDR-EX90LP。HD381F平衡的頻率響應適合播放大部份的音樂並且具有甜美的人聲，歌者好似站在你面前，向你傾訴一般。
Flat frequency response, "Front row" sound image, great for most kinds of music and capturing those sweet vocal sounds.
Both the HD381F & S-brand MDR-EX90LP have a similar curve. The HD381F features a flat response, suitable for most kinds of music, and delivers a sweet vocal sound, as if the singer was standing right in front of you.



HD381B

平坦下沉有緊度的低音，置身演藝廳中間席位-清澈透明、更多細節；適用於專業演出。HD381B曲線近於A牌MA850G/A。HD381B重現更多的聲音細節且具有平坦下沉有緊度的低音，不僅適用於個人音樂的享受外，也是專業演出者對入耳式監聽耳機的最佳選擇。
Crystal clear sound, deep and tight bass, "In hall" feel, great for professional in-ear monitoring applications.
Both the HD381B & A-brand MA850G/A have a similar curve. The HD381B reproduces sound with a crystal clarity and a deep and tight bass. It's the best choice for personal entertainment as well as professional in-ear monitoring.

隨貨附件 Furnished Items



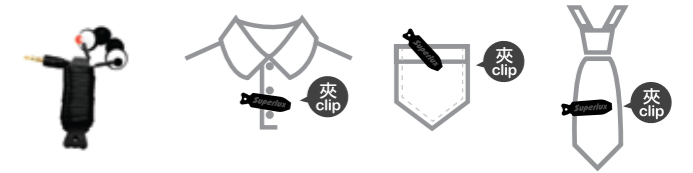
概述

HD381系列入耳式耳機具有個人化緊配舒適並隔絕外部噪音的特性，具有三種不同的音色：HD381具豐富的低音，呈現重低音的魄力；HD381F具有平衡的曲線，適用於大多數的音樂，而且具有甜美的人聲；HD381B表現出清徹的細節，而且低頻下沉而有緊度。三支耳機的音場可比擬為：HD381是與演唱者一起在舞台上演出，HD381F如同在前排的貴賓席，而HD381B就像是置身在音樂廳中間座位一般具有景深與空間感。這三支耳機不僅各具特色，而且大、中、小耳套體貼你的舒適感，專利多功能的捲線器不僅能收整耳機，亦能將耳機線夾在衣領上，調整線長，方便而不零亂。HD381系列非常適用於個人音樂的享受，而且HD381B這支型號的音色也非常適合在專業演出者入耳式監聽系統使用。

特徵

- 舒適和個人化的耳道緊配
- 自然、平衡的音色
- 高效率、寬動態
- 附專利雙功能的捲線器
- 附0.6米長延長線及各一對大、中耳套

專利捲線器應用圖例 Patented multi-function cable wrapped clip



規格

型式
動圈、入耳式
驅動單元
Φ 13.5mm, 鈹鐵
靈敏度
103dB SPL (1mW) at 1KHz
頻率響應
20 - 20,000Hz
最大輸入功率
50 mW
額定阻抗
16 Ω 銅包鋁線
線材
0.6米
接頭
鍍金立體3.5mm接頭
淨重(含線)
12g / 0.42 oz

隨貨附件

- 捲線器
料號 LA10003810100
- 0.6m延長線
料號 IA10003810104
- 一對大耳套 (黑色)
單個料號 AU10003810100
一對中耳套 (灰色)
單個料號 AU10003810201
一對小耳套 (白色), 已裝在耳機上
單個料號 AU10003810001

Overview

The HD381 series headphones feature a comfortable, personalized fit with superior noise isolation and offer 3 distinctive sound profiles, each with its own character: The HD381 features a rich bass and boosted low end; the HD381F has a flat extended frequency response suitable for most kinds of music and delivers a sweet vocal sound; the HD381B has a crystal-clear sound quality that faithfully reproduces every detail, while also providing a deep and tight bass. As for the sound image resented by these headphones, the HD381 gives you the feeling of actually being on stage with the artists while the HD381F makes you feel as if you sitting on the front row and the HD381B puts you in the middle of the concert hall, enjoying a detailed, rich sound. The comfortable ear adapters come in large, medium, and small sizes to fit your ears perfectly. The patented multi-functional cable wrapper/clip wraps the eadphone cable neatly or can be clipped on clothes or necktie for added convenience. The HD381 series' high quality reproduction of the natural sound is ideally suited for personal entertainment and the HD381B also can be used for professional in-ear monitoring.

Features

- Comfortable and personalized fit.
- Natural, balanced sound.
- High efficiency and wide dynamic range.
- Patented dual function cable wrapper / clip included.
- included items: 0.6m (2ft.) extension cable, 1 pair of large ear adapters and 1 pair of medium ear adapters.

Specifications

Type
Dynamic, in-ear
Driver
Φ13.5mm, neodymium
Sound Pressure Level
103dB SPL (1mW) at 1KHz
Frequency Response
20 - 20,000Hz
Max. Input Power
50 mW
Rated Impedance
16 Ω Copper-coated aluminum wire
Cables
0.6 m (2 ft.) Connector
gold plated stereo mini jack
Weight (with cable)
12 g/ 0.42 oz

Furnished Items

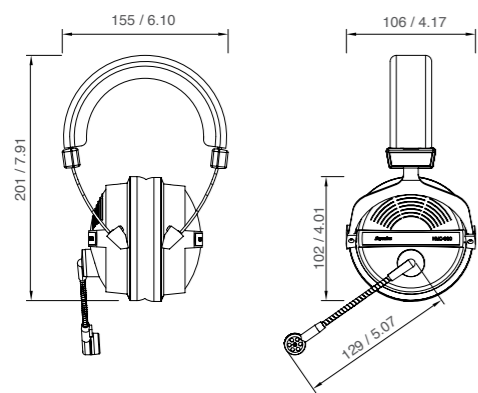
- Cable wrapper
P/N LA10003810100
- 0.6m (2ft.) extension cable
P/N IA10003810104
- Ear adapter, black, large, 1 pair
One Piece P/N AU10003810100
Ear adapter, gray, medium, 1 pair,
One Piece P/N AU10003810201
Ear adapter, white, small, 1 pair,
already put on headphone
One Piece P/N AU10003810001

HMC660

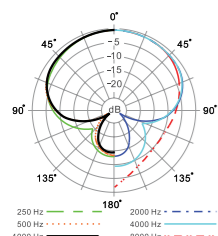
專業用監聽耳機/電容式麥克風

Professional Headset With Incorporated Condenser Mic

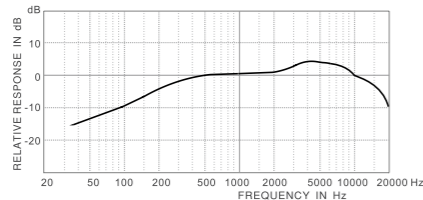
● 錄音室及廣播 Studio & Broadcast



指向圖
Polar Pattern



頻率響應圖
Frequency Response



隨貨附件
Furnished Items



概述

HMC660耳機麥克風乃設計供專業人士，以符合他們同時要求高品質監聽與通訊。精密的聲學設計整合了驅動器、耳朵套墊、頭帶等，整合專業的電容話筒，使得聆聽與講話的性能，同時達到均衡音色與高動態範圍。

適合現場實況轉播、DJ、個人視訊會議、線上遊戲、多媒體應用等。

特徵

- 專業耳機麥克風採用錄音室等級HD660耳機
- 封閉式耳罩提供最佳的隔噪效果
- 專業用超心型指向電容式麥克風PRA30具有聲反饋前增益大特性
- 耐用且易於固定的防風罩可有效降低嘆聲

規格

- 耳機**
型式 動圈、封閉式
靈敏度 96dB SPL (1mW) at 1KHz
頻率響應 10 – 30,000Hz
最大輸入功率 100 mW
額定阻抗 150 Ω
耳罩至耳朵的壓力 約6牛頓
- 麥克風**
型式 背駐極電容
指向性 超心型
頻率響應 50 to 15,000 Hz
靈敏度 -40dBV/Pa (10.0mV/Pa) ±3dB
最大聲壓級 136dB SPL (THD ≤ 1% 1kHz)

等效噪音 (A 加權 A-weighted)

- 24dB (IEC/DIN 651)
額定阻抗 200Ω
動態範圍(1 kΩ Load) 112dB
電源需求 9 to 52V 幻象電源
耗電流 3 mA
型號
HMC660 3米卷線，裸線
HMC660X 1.5米直線，3.5mm立體耳機插頭含有6.3mm轉接頭及XLR麥克風插頭
HMC660E 1.5米直線，3.5mm立體耳機插頭含有6.3mm轉接頭及3.5mm立體麥克風接頭（接線為mono單音）

隨貨附件

- a. 頭戴麥克風海棉套 型號 S11
b. 便攜塑膠盒 料號 KQ10000A70100

Overview

The HMC660 series of stereo headsets are designed for the professionals that demand high quality monitoring and communication. Their precision acoustic design, integrating drivers, ear padding, and headband, combined with a professional condenser microphone for a balanced tone with high dynamic range makes these headsets perfect for both listening and talking. They are ideal for live broadcasts, DJ's, desktop video conferences, on-line gaming and multi-media applications.

Features

- Professional headset derived from the HD660 studio headphone
- Closed-back earphones for optimum ambient-noise attenuation
- Integrated professional condenser microphone PRA30 with super cardioid polar pattern gives high gain before feedback
- Reliable and easy-to-fix mesh windscreen to reduce POP noises

Specifications

- Headphones**
Type Dynamic, Closed-back
Sound Pressure Level 96dB SPL (1mW) at 1KHz
Frequency Response 10 – 30,000Hz
Max. Input Power 100mW
Rated Impedance 150Ω
Headphone Caliper Pressure Approx. 6N
- Microphone**
Type Electret condenser
Polar pattern Super Cardioid
Frequency response 50 to 15,000 Hz
Sensitivity -40dBV/Pa (10.0mV/Pa) ±3dB
Max. SPL (1 kΩ load) 136dB SPL (THD 1% 1kHz)
Rated impedance 200Ω

Equivalent noise level (A-weighted)

- 24dB (IEC/DIN 651)
Dynamic range (1 kΩ Load) 112dB
Power requirement 9 to 52V phantom power
Current consumption 3 mA
Model No.
HMC660 3M(10') Coil spring cord, open end
HMC660X 1.5M(5') straight cord, 3.5mm(1/8") stereo headphone plug with a 3.5 mm (1/8") to 6.3mm(1/4") adapter and an XLR mic plug.
HMC660E 1.5M(5') straight cord, 3.5mm(1/8") stereo headphone plug with a 3.5mm(1/8") to 6.3mm(1/4") adapter and a 3.5mm(1/8") stereo mic plug wired as mono

Furnished Items

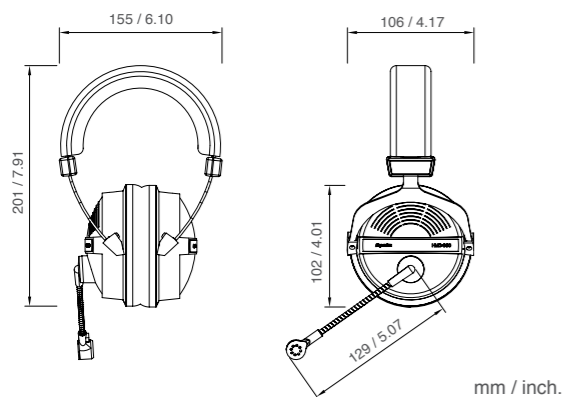
- a. windscreen model# S11
b. Plastic carrying case P/N KQ10000A70100

HMD660

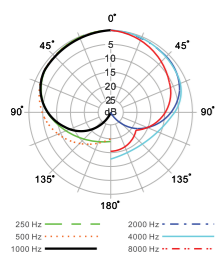
專業用監聽耳機/動圈式麥克風

Professional Headset With Incorporated Dynamic Mic

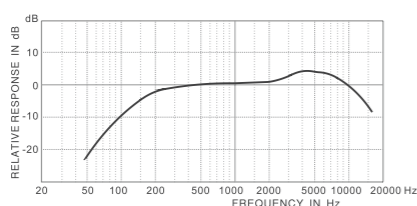
● 錄音室及廣播 Studio & Broadcast



指向圖
Polar Pattern



頻率響應圖
Frequency Response



隨貨附件
Furnished Items



概述

HMD660耳機麥克風乃設計供專業人士，以符合他們同時要求高品質監聽與通訊。精密的聲學設計整合了驅動器、耳朵套墊、頭帶等，整合專業的動圈話筒，使得聆聽與講話的性能，同時達到均衡音色與高動態範圍。適合現場實況轉播、DJ、個人視訊會議、線上遊戲、多媒體應用等。

特徵

- 專業耳機麥克風採用錄音室等級HD660耳機
- 封閉式耳罩提供最佳的隔噪效果
- 專業用心型指向電容式麥克風PRA20具有聲反饋前增益大特性
- 耐用且易於固定的防風罩可有效降低嘆聲

規格

- 耳機**
型式
動圈、封閉式
- 靈敏度
96dB SPL (1mW) at 1KHz
- 頻率響應
10 – 30,000Hz
- 最大輸入功率
100 mW
- 額定阻抗
150 Ω
- 耳罩至耳朵的壓力
約6牛頓
- 麥克風**
型式
動圈式
- 指向性
心型 Cardioid
- 頻率響應
150 to 10,000 Hz
- 靈敏度
-60dBV/Pa (10.0mV/Pa) ±3dB

最大聲壓級

136dB SPL (THD ≤ 1% 1kHz)

額定阻抗

250 Ω

型號

- HMD660**
3米卷線，裸線
- HMD660X**
1.5米直線，3.5mm立體耳機插頭含有6.3mm轉接頭及XLR麥克風插頭
- HMD660E**
1.5米直線，3.5mm 立體耳機插頭含有6.3mm轉接頭及3.5mm 立體麥克風接頭（接線為mono單音）

隨貨附件

- a. 頭戴麥克風海棉套
型號 S11
- b. 便攜塑膠盒
料號 KQ10000A70100

Overview

The HMD660 series of stereo headset are designed for the professionals that demand high quality monitoring and communication. Their precision acoustic design integrating drivers, ear padding, and headband combined with a professional dynamic microphone for a balanced tone with high dynamic range makes these headsets perfect for both listening and talking. They are ideal for live broadcasts, DJ's, desktop video conferences, on-line gaming and multimedia applications.

Features

- Professional headset derived from the HD660 studio headphone
- Closed-back earphones for optimum ambient-noise attenuation
- Integrated professional dynamic microphone PRA20 with cardioid polar pattern gives high gain before feedback.
- Reliable and easy-to-fix mesh windscreen to reduce POP noises.

Specifications

- Headphones**
Type
Dynamic, Closed-back
- Sound Pressure Level**
96dB SPL (1mW) at 1KHz
- Frequency Response**
10 – 30,000Hz
- Max. Input Power**
100 mW
- Rated Impedance**
150Ω
- Headphone Caliper Pressure**
Approx. 6N
- Microphone**
Type
Dynamic
- Polar pattern**
Cardioid
- Frequency response**
150 to 10,000 Hz
- Sensitivity**
-60dBV/Pa (10.0mV/Pa) ±3dB
- Max. SPL (1 kΩ load)**
136dB SPL (THD1% 1kHz)
- Rated impedance**
250Ω

HMD660

3M(10') Coil spring cord, open end

HMD660X

1.5M(5') straight cord, 3.5mm(1/8") stereo headphone plug with 6.3mm(1/4") adapter, and XLR mic plug.

HMD660E

1.5M(5') straight cord, 3.5mm(1/8") stereo headphone plug with 6.3mm(1/4") adapter and 3.5mm (1/8") stereo mic plug wired as mono.

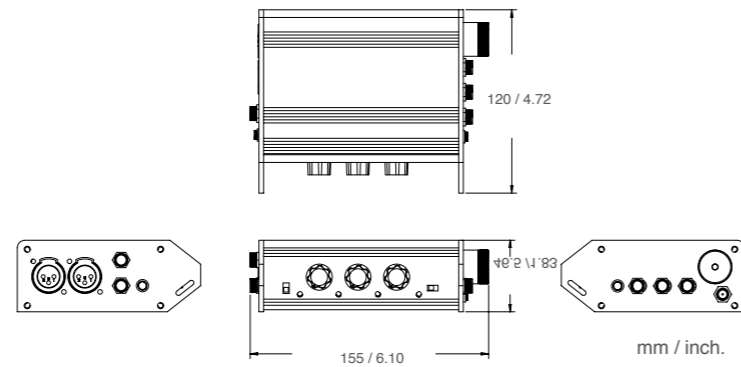
Furnished Items

- a. windscreen
model# S11
- b. Plastic carrying case
P/N KQ10000A70100

HA3D

攜帶式耳機擴大機 Portable Headphone Amplifier

● 戶外錄音及錄音棚 Field Recording & Studio



雙電源供應

2 × AA 電池
使用鹼性電池，正常音量時，電池使用壽命10小時以上
外接電源供應器5~17VDC輸入

Dual Power

Internal battery power (2 x AA) for convenient, low cost power. Long battery life - more than 10 hours (Alkaline batteries, @ nominal drive level).
External 5-17VDC powering.

輸入/輸出的多樣化

2個平衡式XLR高電平輸入或非平衡式3.5mm及6.3mm立體TRS輸入
訊號輸出可連接另一台HA3D，可以使用多於3支的耳機需求

Flexible Inputs / outputs

2 balanced XLR line level inputs or unbalanced 1/4-inch and 1/8-inch stereo inputs
Loop output to connect additional HA3D's in series for extra

堅固耐用的本體結構

高強度鋁底座以應付出外使用的挑戰機身兩側附帶鉤環以利安裝，吊掛高強度耐用插座快速電池更換

Durable Mechanical construction

High strength aluminum chassis withstands challenging field conditions. Strap loops on side panels for easy mounting or wearing. Panel-mounted connectors for strength and reliability. Easy access battery compartment for quick battery changes.

隨貨附件 Furnished Items



概述

Superlux HA3D是一台攜帶式立體耳機擴大機專為要求嚴格的音樂監聽工作而設計，其音響品質適合攜帶型，錄音室及音響發燒友的需求。HA3D提供3組獨立的耳機訊號輸出，音源可為平衡式或非平衡式高電平音源，每一組耳機訊號輸出都有音量控制，獨立的LED顯示燈及6.3mm(1/4")插座，HA3D擴展的頻寬及高電流/電壓的驅動能力，使得它可以推的動各種高阻抗的耳機，甚至大音量而不失真，這是在進行大音量監聽工作很重要的基本需求，HA3D使用2個AA電池或外接的電源供應器，可外出攜帶使用。

Overview

Superlux HA3D is a portable, stereo headphone amplifier designed for demanding and critical audio monitoring. This audiophile-quality headphone amp is ideal for adding headphone feeds for portable, studio, and audio enthusiast applications.

The HA3D provides 3 independent headphone feeds from balanced or unbalanced line sources. Each headphone output is controlled by the associated level control, equipped with independent peak LED, and 1/4-inch output connector. With its extended bandwidth and high current/voltage drive capability the HA3D can drive headphones of various impedances to high levels with very low distortion, important for monitoring in high SPL environments. It can be powered from two-AA batteries or external DC.

The HA3D will provide years of superb audio performance under the most demanding field conditions.

特徵

- 3組立體的耳機訊號輸出，獨立音量控制
- 頻率響應10Hz~50kHz
- 動態範圍≥120dBI
- 高功率驅動能力，驅動耳機至最大音量而不失真
- 各輸出附過載警示LED燈
- 立體/MONO訊源切換開關

隨貨附件

- 1m 訊號線，一端3.5mm立體，一端是6.3mm立體
料號 IA10030100100
- 橡膠避震墊4個
單個料號 0C100HA3D0001

Features

- 3 independent headphone outputs with individual volume controls.
- Frequency response from 10 Hz to 50 kHz.
- ≥120dB dynamic range.
- High power driving capability, drives headphones to high levels with very low distortion.
- Individual peak indicators show overload of each headphone feed.
- Master Stereo / Mono switch.

Furnished Items

- 1M length, Tip-Ring-Sleeve interconnection cable, one end is 1/8"(3.5mm), the other end is 1/4"(6.3mm)
P/N IA10030100100
- Rubber feet(4 pcs)
One piece P/N 0C100HA3D0001

規格

頻率響應
10Hz~50kHz，+/-1.0dB，任何輸入至輸出，增益控制位於50%處

電源增益
(增益,迴路輸出,耳機輸出)平衡式高電平,-3dB, 34dB; 耳機輸入,-1dB,35dB

輸出削峯失真電平
最小+18 dBu, 600歐姆附載; 最小+16 dBu, 300歐姆附載

耳機輸出阻抗
200歐姆

輸入削峯失真電平
XLR:+24 dBu

動態範圍
≥120dB (平衡式高電平輸入)

總諧波失真與噪音
最大0.03% (10Hz~22 kHz, +10 dBu輸入及輸出電平, 負載阻抗300歐姆, 10Hz~22kHz, 濾波頻寬)

輸入
XLR電子平衡式, 22K歐姆輸入阻抗。3.5mm 非平衡式, 9.1K歐姆阻

Specification

Frequency Response:
10Hz-50 kHz,+/-1.0dB, any input to any output, gain control set to 50%

Voltage Gain
(Gain, Loop Out, Headphone output) Bal. Line,-3dB,34dB;HP Input, -1dB, 35dB

Output Clipping Level
+18dBu minimum with 600 ohm load
+16dBu minimum with 300 ohm load

Headphone Output impedance:
200 ohms

Input Clipping Level
XLR:+24 dBu

Dynamic Range
≥120 dB (Balanced line inputs)

THD + Noise
0.03% maximum(from 10Hz – 22kHz @ +10 dBu input and output level, 300 ohm load,10 Hz – 22kHz filter bandwidth)

Inputs
XLR-electronically balanced, 22k ohm input impedance; 1/4-inch unbalanced-9.1k ohm impedance; 1/8-inch unbalanced-9.1k ohm impedance ;Note: only one set of inputs (balanced or unbalanced) should be connected at a time

Loop Output
Unbalanced, 200 ohm output impedance

抗。6.3mm非平衡式, 9.1K歐姆阻抗 (注意:每一輸入僅插入一支耳機)

迴路輸出
非平衡式, 200歐姆輸出阻抗

內部運作電壓
±15V, 穩壓

電源
內部電源使用2 × AA鹼性電池, 可驅動75歐姆耳機12小時; 外部使用5~17VDC(接頭外徑5.5mm, 內徑2.1mm), 內部接觸點為正, 外環為負, 高於17VDC的電壓對機器無害, 只會將保險絲開路, 只需要將電源切掉, 即可自動恢復

電源LED顯示燈
綠色表示已接電或電池電力正常, 紅色表示電池電力不足, 紅色LED燈亮代表電池續航力僅餘4小時

使用溫度範圍
0~70°C 華氏32~160度

尺寸
43×94×140mm(高×寬×深)

重量
0.56公斤

Internal Voltage Rails
±15V, regulated

Power Internal
2 AA alkaline batteries, 12 hours life typical driving one 75 ohm headset; External 5-17 VDC via threaded coaxial connector,(5.5mm outer diameter, 2.1 mm inner diameter), pin positive, sleeve negative. Voltages above 17 VDC cause no damage to unit, but will open an internal poly fuse. Poly fuse will reset when voltage is removed.

Power LED
Green indicates power and good battery Red indicates power with low batteries. LED turns red when approximately 4 hours of battery life remain

Operating Temperature Range
0 to 70°C 32 to 160°F

Dimensions
43 mm×94mm×140mm (h×w×d) (1.7"×3.7" ×5.55")

Weight
(unit only) 0.56 kg, 1.24 lbs

Superlux[®] 舒伯乐

www.superlux.com.tw

