

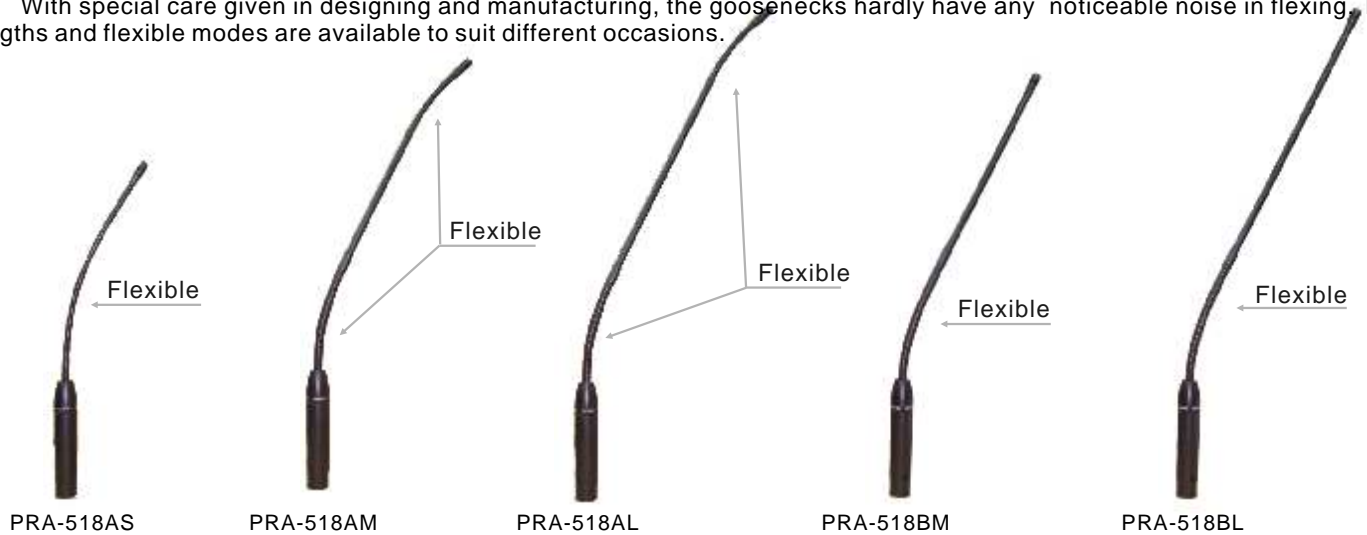
PRA-518 SERIES

Electret Condenser Cardioid Mini-gooseneck Microphone

Description

PRA-518 series are superior miniature gooseneck back electret condenser cardioid microphones for conferences. They are designed to fit the demands of conferences in aspects such as: tailored frequency response, excellent cardioid polar pattern, and high gain before feedback.

With special care given in designing and manufacturing, the goosenecks hardly have any noticeable noise in flexing. Three lengths and flexible modes are available to suit different occasions.



Specifications

ITEM \ MODEL	PRA-518AS	PRA-518AM	PRA-518AL	PRA-518BM	PRA-518BL
Type	Back Electret Condenser	Back Electret Condenser	Back Electret Condenser	Back Electret Condenser	Back Electret Condenser
Polar pattern	Cardioid	Cardioid	Cardioid	Cardioid	Cardioid
Frequency response [Hz]	50-16000	50-16000	50-16000	50-16000	50-16000
Sensitivity[dBV/Pa]	-39(11mV/Pa)	-39(11mV/Pa)	-39(11mV/Pa)	-39(11mV/Pa)	-39(11mV/Pa)
Rated impedance [Ω]	200	200	200	200	200
Equivalent noise level (A Weighted) [dB]	26	26	26	26	26
Dynamic range [dB]	104	104	104	104	104
Max. SPL [dB]	130dB (THD 1%)	130dB (THD 1%)	130dB (THD 1%)	130dB (THD 1%)	130dB (THD 1%)
Power supply [V]	9~52	9~52	9~52	9~52	9~52
Current consumption [mA]	3 (with red LED indicator)	3 (with red LED indicator)	3 (with red LED indicator)	3 (with red LED indicator)	3 (with red LED indicator)
Polarity	Pin 2 produce a positive voltage (relative to pin 3) when diaphragm accept a frontal pressure				
Finish	Durable black urethane	Durable black urethane	Durable black urethane	Durable black urethane	Durable black urethane
Dimension [mm]	8x310(1ft)	8x450(1.5ft)	8x6000(2ft)	8x450(1.5ft)	8x600(2ft)
Net Weigh [g]	130	152	165	147	165

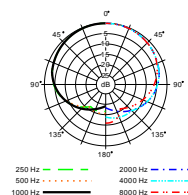
Supplied Accessories



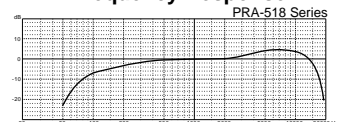
Optional Accessories



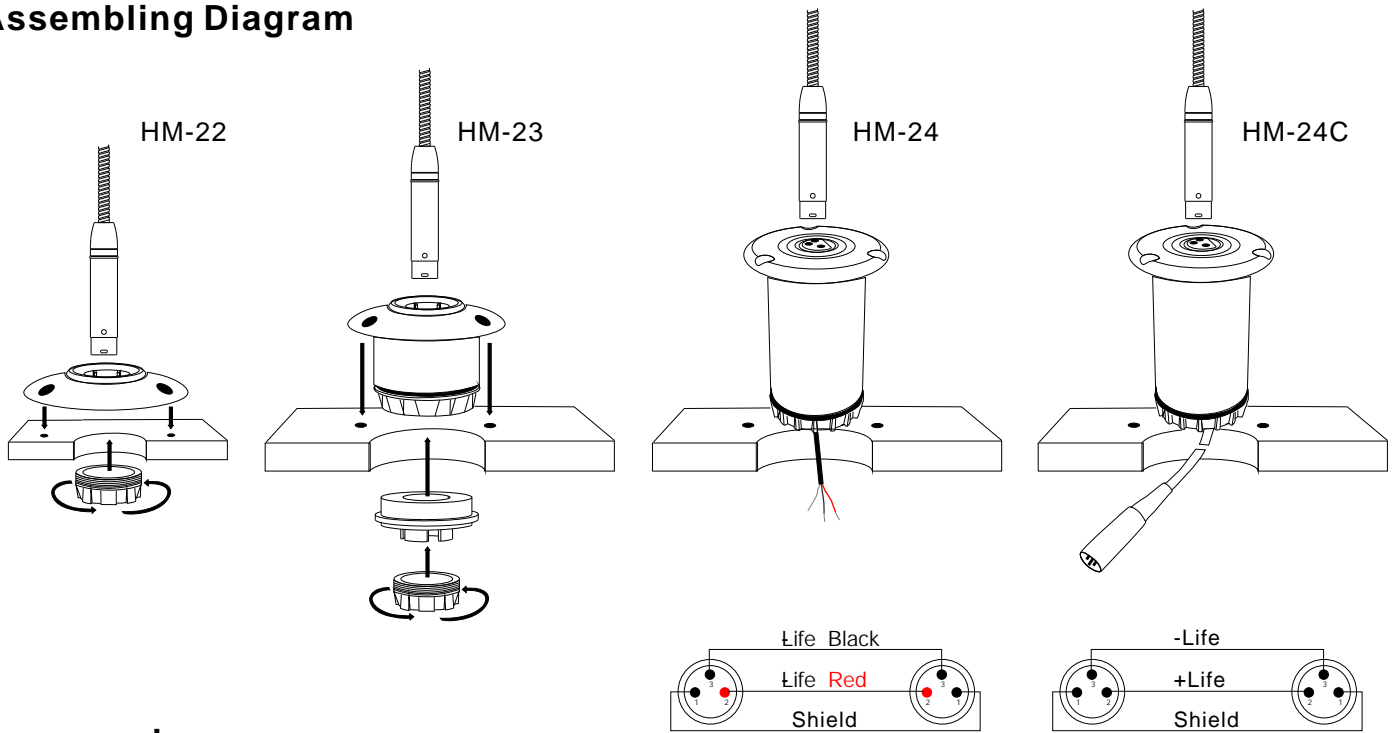
Polar Pattern



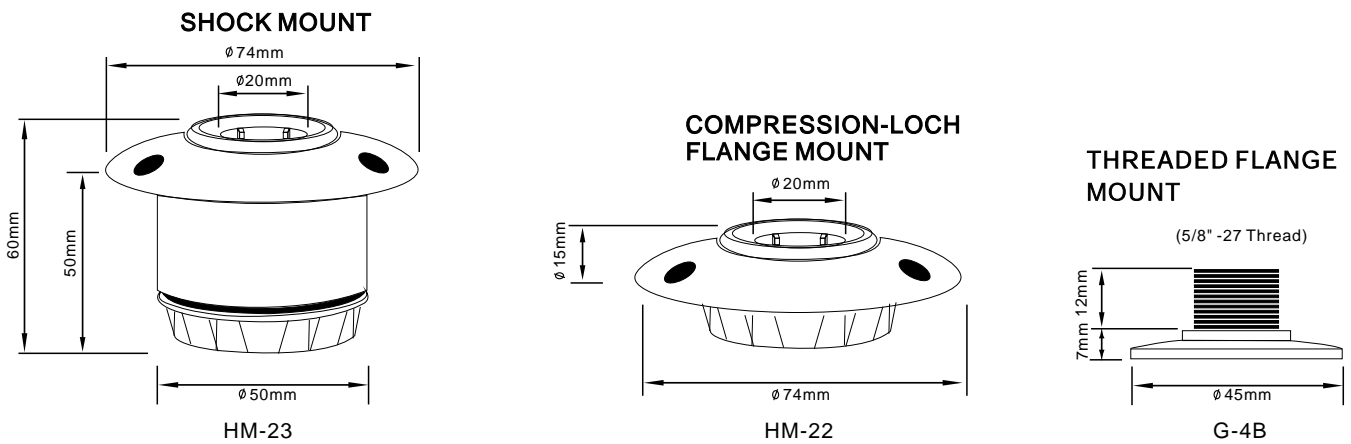
Frequency Response



Assembling Diagram



Accessories



Dimension

