

HMC631

Professional-Grade PC Gaming Headset
專業等級電玩遊戲耳麥



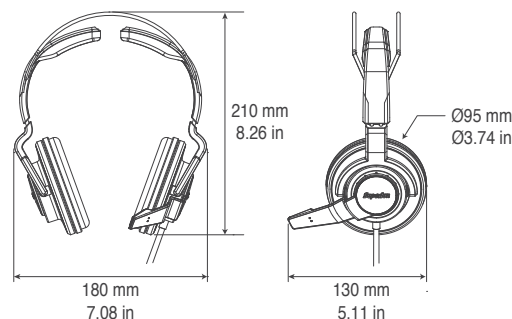
Superlux[®]

www.superlux.com.tw

HMC631

Professional-Grade PC Gaming Headset

專業等級電玩遊戲耳麥



General Description

The HMC631 delivers high-quality sound, rugged construction and superior comfort in stylish design. 51-mm premium speakers bring an extra level of realism and excitement to video gaming, giving every detail in the game so you can react quickly to sound cues. The HMC631 features a boom microphone that offers highly intelligible voice reproduction and filters out most background noise. This headset lets you enjoy the comfort, quality and competitive edge of a professional-grade gaming headset wherever you go.

Features

- Powerful bass and clear mid-to-high sound ranges reproduce every detail in the game
- 51mm (2") large diaphragm offers high efficiency and wide dynamic range
- Patented auto-adjustable headband construction offers a truly comfortable fit
- Unidirectional boom microphone
- Passive noise reduction
- In-line volume control and microphone on/off switch

General Data

Cable Length: 3-meter (9.8 ft.)
Connectors: 2x 3.5 mm (1/8")
Weight: 350 g (12.3 oz.)

Headphones

Type: Dynamic, closed-back, circumaura
Frequency Response: 20 - 20,000 Hz
Impedance: 40Ω (CCAW)
Sensitivity: 102 dB SPL
Max. Input Power: 1,000 mW

Microphone

Frequency Response: 80 - 15,000 Hz
Pick-up pattern: Unidirectional
Impedance: 2.2 kΩ
Sensitivity: -40 dBV/Pa (10 mV)

一般描述

時尚設計造型的HMC631具有高品質的音色及耐用的結構而且配戴起來非常的舒適。其精密的51mm大振膜喇叭單元能讓您完全進入電玩遊戲中的真實情境與興奮感，並能呈現完整的聲音細節，幫助您在遊戲中快速地作出正確反應。另外，搭配一個降噪麥克風，能產生極高的語音清晰度。不論您置身於那一款遊戲中，HMC631專業等級的遊戲耳麥能帶給您舒適、高品質及具優勢的聲音表現。

特色

- 展現低頻的力度、及中、高頻呈現透明與細節的音色
- 51 mm大振膜之驅動單元提供高效率、寬動態
- 自動調整頭墊結構給予最佳舒適性
- 單指向麥克風
- 被動減噪系統
- 線控含音量控制及麥克風靜音開關

一般規格

線長：3 米
接頭：兩個3.5 mm 接頭
淨重：350 g

耳機

型式：動圈、封閉式、包耳
頻率響應：20 - 20,000 Hz
額定阻抗：40Ω (銅包鋁線)
靈敏度：102 dB SPL (1 mW)
最大輸入功率：1,000 mW

麥克風

頻率響應：80 - 15,000 Hz
指向特性：單指向性
額定阻抗：2.2kΩ (銅包鋁線)
靈敏度：-40 dBV/Pa (10 mV)