



**移動式音響滿足  
每個人及每個地方**

全新設計的Superlux SF系列有源塑料音箱帶給您不同凡響的全新體驗。對於經常由甲地到乙地，要即刻設定完成的擴音系統，SF系列提供給您多用途的解決方案。輕巧卻強悍的音色、微小卻展現大能量的低頻，滿足每一個不可失誤的現場演出。

**THE PORTABLE SOUND FOR EVERYONE AND EVERYWHERE**

The SF series is a brand-new design in a molded speaker system, bringing a totally different experience in portable sound. For those who need to frequently set up a sound system, the SF series offers an all-purpose solution. Light weight and compact, yet presenting a really robust sound to your audience, the SF series can satisfy your every live event portable sound requirement.



www.superlux.com.tw



**SF Series**  
Sound Reinforcement Loudspeaker

SF系列全塑箱有源音箱系統

**旗艦機型 Flagship models  
SF112A and SF12AS**

全塑箱三音路有源音箱系統含  
SF112A (12吋全音域)及  
SF12AS (12吋超低音)  
Full injection-molded 3-way powered  
loudspeaker system, including SF112A 12"  
full range and SF12AS 12" subwoofer  
loudspeaker

SF112A含一體壓鑄成形之背板及散熱片提供最佳的散熱結構  
Integrated die-cast heat-sink ensures the  
ultimate in efficient cooling for SF112A

高效率、高功率、高穿透性及人聲突出音色  
表現，實現高品質現場擴音系統  
High efficiency, high power, long-throw and  
vocal presence ensure high quality sound  
reinforcement

系統組合的選擇 System combination

- 實用組合 Practical system
  - 一對SF112A及一支SF112AS  
A pair of SF112A and an SF12AS
- 專業組合 Professional system
  - 一對SF112A及一對SF112AS  
A pair of SF112A and a pair of SF112AS
- 擴充性 Expansion
  - 可依需求，搭配Superlux舒伯樂相關產品，達到多元化組合目的，可讓系統整合後表現出正確的聲音  
Combine with related Superlux products to have an excellent sound



**最高性價比機型 The best C/P value models  
SF12A and SF12AS**

全塑箱三音路有源音箱系統含  
SF12A (12吋全音域)及  
SF12AS (12吋超低音)  
Full injection-molded 3-way powered  
loudspeaker system, including SF12A 12"  
full range and SF12AS 12" subwoofer  
loudspeaker

低音充實、擴展且平坦的頻率響應，提供豐富的音樂性  
Solid bass and extended frequency  
response, and also present musical sound  
profile

系統組合的選擇 System combination

- 實用組合 Practical system
  - 一對SF12A及一支SF12AS  
A pair of SF12A and an SF12AS
- 專業組合 Professional system
  - 一對SF12A及一對SF12AS  
A pair of SF12A and a pair of SF12AS
- 擴充性 Expansion
  - 可依需求，搭配Superlux舒伯樂相關產品，達到多元化組合目的，可讓系統整合後表現出正確的聲音  
Combine with related Superlux products to have an excellent sound

**工藝的呈現**

SF系列音箱是Superlux團隊精心策劃，專注於細節再細節地整合了所有移動式音響系統所需必要元件，而完成的結果。每個元件都經過細細考量及設計，因為我們想完成一個不一樣的PA音箱產品，不僅聲音要撼動人心，結構上也要經得起經常搬運的撞擊。透過先進的工業及機構設計，再加上精挑細選的材質，SF系列重量輕且音色佳，能滿足移動性多用途需求。

**DESIGNED FOR PERFORMANCE**

The SF loudspeaker series has been carefully designed from the ground up to ensure that all of the necessary components for a portable system will work together in the most efficient manner, not only providing increased performance levels but also reliability. These design improvements have extended also into the construction of the speakers, making them sturdier than ever and tough enough to handle the impacts incurred by road use. The SF series will satisfy the demand of professional users for light weight, portability and toughness while also delivering superior sound quality.

**低頻**

低音發聲單體，採用鈹鐵材料，重量輕卻能產生大音壓並產生平滑的頻率響應。大的音圈設計，提供高效率及低失真，確保重現乾淨正確的低頻音色。

**LOW FREQUENCY**

The low frequency driver with neodymium magnet is light but can deliver a smooth frequency response while handling very high sound pressure levels. The large diameter voice coil offers not only efficiency, but exceptionally low distortion for truly clean lows.

**高頻**

高品質的高頻音圈，加上壓縮式設計的驅動器，用來產生水晶般透明清晰的高頻。配上水平90度、垂直45度的導向號角，以獲得恆向性的角度控制。

**HIGH FREQUENCY**

Featuring a high quality voice coil, the HF compression driver is used to deliver crystal clear highs. The 90° x 45° constant directivity waveguide horn ensures broad, consistent coverage over the entire audience area.

**耐用性**

每一支由Superlux出版的音箱，都經過長時間的耐用性試驗，甚至過載測試。壓鑄一體成形的背板散熱結構，更證明了Superlux對產品的用心，提供最佳的散熱機制。內部限幅器的保護線路，堅固的箱體結構及纏網，使SF系列能承受最嚴苛的使用環境。

**RELIABILITY**

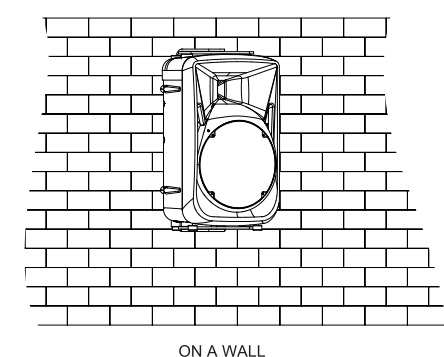
All Superlux loudspeakers must endure extremely tough testing, including an overload test, to ensure years of reliable service. Their large integrated die-cast heat-sinks, offering an exceptionally efficient cooling system, combined with built-in HF and LF protective circuitry and an extremely rugged composite enclosure with metal grille, ensure that all Superlux loudspeakers can withstand the rigors of road abuse.

**便攜性**

SF系列的設計考量到不斷移動的需求，例如從後車箱移出或從儲藏室移至舞台上，射出成型的箱體，再加上頂部及側面的把手，使您非常容易地將它放到音箱架上或是提上後車箱。

**EASY TO HANDLE**

The SF series has been designed for maximum ease in handling from storage to the back of your car to the gig or the stage. Through careful modeling and real-life testing, handle locations have been positioned at the exact balance points, ensuring easy handling when carrying these speakers. The molded cabinets have one handle on top and one handle on the side, making it equally easy to place the loudspeaker on a tripod stand or into the back of your car.

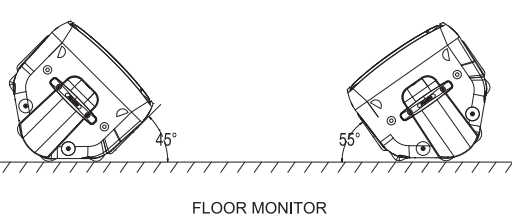


**多功能的應用**

SF系列為多功能設計有源塑料的音箱系統不僅可用來當作主音箱，透過45度及55度的傾斜角度，也可用來作為舞台反饋監聽音箱使用。內含標準的音箱架插座含鎖定螺絲以確保安全。另外，整合了5個M8懸吊點使SF系列可應用於安裝工程。額外的U型吊架，也方便安裝到牆上。

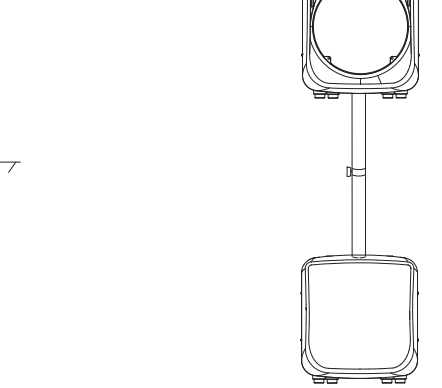
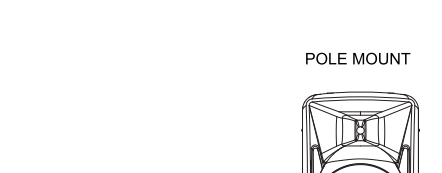
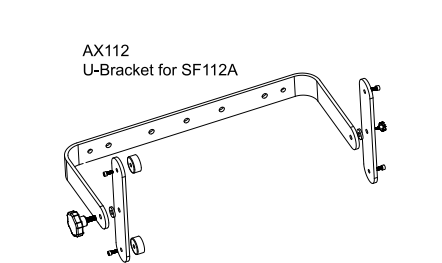
**VERSATILE PLACEMENT**

The SF series is everything you could need in a versatile loudspeaker system. With enclosures that feature both 45° and 55° angle sides and flexible connectivity, these loudspeakers are equally useful either as a main speaker or a low-profile monitor. A standard pole mount socket with stabilizing screw and built-in non-slip rubber feet allow both secure stand mounting and free standing configurations. Integrated standard M8 suspension points, plus an optional wall mount kit, make these systems easy to install to suit most applications.



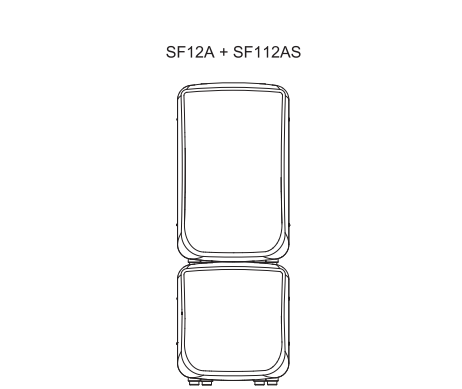
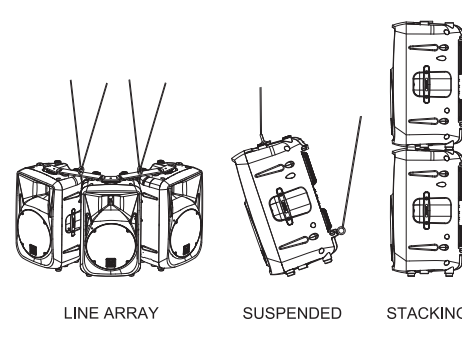
**選購配件 Optional Accessories**

- 直桿架 Pole Mount SPM1
- 音箱三角架 Tripod Stand SPS400
- SF112A, SF12A, SF12AS
- U型架套件 U-Bracket Kit AX112
- U型架掛繩連接片 Connecting Plate for horizontal array AX112AR



**應用案例 Application Examples**

- 使用調音台之中、小型PA  
Small PA using external mixer
- 使用功放調音台及超低音之PA  
PA using powered mixer and subwoofers
- 串接之PA  
Daisy-chaining a PA
- 更多的應用案例，透過你的想像來發揮  
More application examples are lead by your imagination



**具特色之全新工業設計造型**  
Brand-New Industrial Design

全塑箱三音路音箱系統，全音域音箱再加超低音，提供超低音的能量及厚實的音色  
Full injection-molded 3-way loudspeaker system with full range loudspeaker and subwoofer to offer power and solid bass

超厚的塑箱外殼提供更穩定之結構，供應厚實穩重的低頻  
Ultra-thick cabinet offers sturdy structure and also gives solid and extended bass

全音域音箱具有二音路雙功放設計  
Full range active models with optimized bi-amplified loudspeaker system

高音壓輸出之精準钛金屬壓縮式驅動器  
High-output precision titanium compression driver

長衝程低頻放音驅動器  
Neodymium long-throw low frequency transducer

SF112A一體成形壓鑄散熱結構，提供最佳散熱效果  
Integrated die-cast heat-sink ensures the ultimate in efficient cooling

寬而平滑的散音角度  
Ultra-wide, smooth sound dispersion

SF112A有源音箱內建6階/24dB主動分頻器  
Built-in phase-accurate 24dB Linkwitz-Riley electronic crossover for active models

輸入及直接串接輸出接口  
Mic/line input and pass-thru connector

輕量化的結構提供最佳的移動的便利性  
Lightweight for the ultimate in portability

可懸吊、喇叭架安裝、牆面安裝、反饋音箱使用及可堆疊  
Fly-able, stand or wall-mountable, floor wedge-able, stackable

有源音箱 Powered Speakers	SF112A	SF112AS	SF12A	SF12AS
型式 Type	12吋兩音路, 塑箱	12吋超低音, 塑箱	12吋兩音路, 塑箱	12吋超低音, 塑箱
LF Amplifier Power (RMS)	300W (Class D)	300W (Class D)	200W (Class H)	300W (Class D)
HF Amplifier Power (RMS)	100W(Class AB)	-	50W(Class AB)	-
輸入型式 Input Type	平衡差動式高電平 Balanced Differential Line	平衡差動式高電平 Balanced Differential Line	平衡差動式高電平 Balanced Differential Line	平衡差動式高電平 Balanced Differential Line
輸入/輸出 阻抗 Input/Output Impedance	高電平 Line: 20k ohms 話筒 Mic: 2k ohms	高電平 Line: 23k ohms 話筒 Mic: 280 ohms	高電平 Line: 20k ohms 話筒 Mic: 2k ohms	高電平 Line: 23k ohms 輸出阻抗: 280 ohms
靈敏度 Sensitivity	高電平 Line: 1.23V(+4dBu)	高電平 Line: 0.775V(0dBu)	高電平 Line: 1.23V(+4dBu)	高電平 Line: 0.775V (0dBu)
頻率響應 (-10dB) Freq. Range	50 Hz -15 kHz	43 Hz -275 Hz	55 Hz -20k Hz	43 Hz -275 Hz
Max. Calculated SPL	128 dB	130 dB	128 dB	128 dB
分頻點 Crossover Frequency	2.4k Hz	100 Hz	2.4k Hz	100 Hz
等化器 EQ	-	-	12k Hz / +/-15dB 80 Hz / +/-15dB	-
接頭 Connectors	輸入 XLR母座 Input: Female XLR 輸出 XLR公座 Output: Male XLR 迴路串出 XLR公座 Loop Through: Male XLR	輸入 XLR母座 Input: Female XLR 輸出 XLR公座 Output: Male XLR 迴路串出 XLR公座 Loop Through: Male XLR	輸入 XLR母座 Input: Female XLR 輸出 XLR公座 Output: Male XLR 迴路串出 XLR公座 Loop Through: Male XLR	輸入 XLR母座 Input: Female XLR 輸出 XLR公座 Output: Male XLR 迴路串出 XLR公座 Loop Through: Male XLR
交流電源輸入 AC Input	IEC母座 Female IEC	IEC母座 Female IEC	IEC母座 Female IEC	IEC母座 Female IEC
電源 AC Power Requirement	115V, 50 Hz/60 Hz 230V, 50 Hz/60 Hz	115V, 50 Hz/60 Hz 230V, 50 Hz/60 Hz	115V, 50 Hz/60 Hz 230V, 50 Hz/60 Hz	115V, 50 Hz/60 Hz 230V, 50 Hz/60 Hz
高聲角覆蓋角度 HF Horn Coverage Angles(-90dB)	水平90度；垂直45度 90°H x 45°V	水平90度；垂直45度 90°H x 45°V	水平90度；垂直45度 90°H x 45°V	水平90度；垂直45度 90°H x 45°V
箱體材質 Enclosure Material	聚丙烯(PP) Polypropylene	聚丙烯(PP) Polypropylene	聚丙烯(PP) Polypropylene	聚丙烯(PP) Polypropylene
懸吊點 Suspension	M8 頂部2個，底部2個，背面1個 5 Forged Steel Eyebolts: Top x 2, Bottom x 2 and 1 on rear of enclosure	M8 頂部2個，底部2個，背面1個 5 Forged Steel Eyebolts: Top x 2, Bottom x 2 and 1 on rear of enclosure	M8 頂部2個，底部2個，背面1個 5 Forged Steel Eyebolts: Top x 2, Bottom x 2 and 1 on rear of enclosure	M8 頂部2個，底部2個，背面1個 5 Forged Steel Eyebolts: Top x 2, Bottom x 2 and 1 on rear of enclosure
顏色 Finish/Color	黑色 Black	黑色 Black	黑色 Black	黑色 Black
驅動單元 Transducers/Replacement Parts	低頻: 鈹鐵 LF: L12FN, 12" (304mm) Neodymium driver	低頻: 鐵氧體 LF: L12E, 12" (305mm) Ferrite driver	低頻: 鐵氧體 LF: L12G 12" (305mm) Ferrite driver	低頻: 鐵氧體 LF: L12E, 12" (305mm) Ferrite driver
尺寸 (高x寬x深) Dimensions(HxWxD)	62.5 x 38 x 37 (cm) 24.6 x 15 x 14.6 (in.)	40 x 40 x 55 (cm) 15.7 x 15.7 x 21.7 (in.)	62 x 38 x 37 (cm) 24.4 x 15 x 14.6 (in.)	62 x 38 x 37 (cm) 24.4 x 15 x 14.6 (in.)
淨重 Net Weight	19.6 kg (43.2 lbs)	16.5 kg (36.4 lbs)	18 kg (39.6lbs)	16 kg (35.3 lbs)