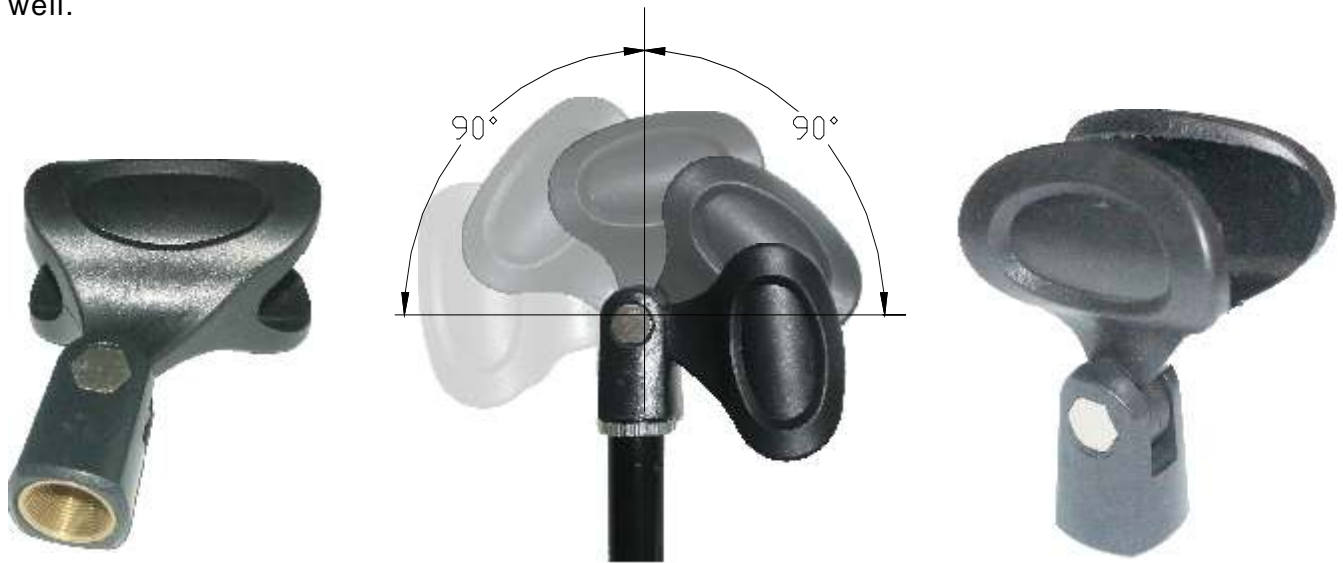


# HM-29

## Larger Microphone Holder

### Description

The HM-29 microphone holder is designed for larger handles microphone with high elasticity and its solid strength, and exquisite appearance, it fits well for SUPERLUX larger handles microphone with a diameter within 29~ 39mm and any others with the same size extent as well.



### Features

- Polypropylene material employed, very high elasticity and durability could be used easily in clamping the microphone-body vertically if necessary.
- With copper screw 5/8"x27T(Female) inserted.
- Operating free with a angle of 180°.
- Adaptable with the microphone body diameter of 29~ 39mm.
- Transparent sealing hangable packaged easy exhibited and stocked.



Adaptable with the microphone body diameter of 29~ 39mm.

Transparent sealing hangable packaged easy exhibited and stocked.

