

Superlux[®]

UK82

PROFESSIONAL MANUFACTURER OF ENTERTAINMENT VOCAL SYSTEM

Contact

Marketing and sales

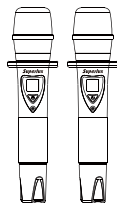
Goang-Fann Co., Ltd.
+886-2-26931323
sales@superlux.com.tw
support@superlux.com.tw

Manufacturing & logistics

Superlux Enterprise
Development (Shanghai) Co., Ltd.

UK82

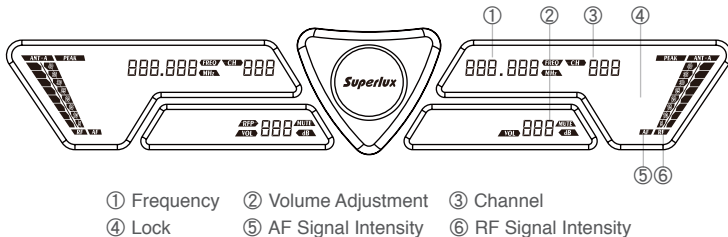
PROFESSIONAL MANUFACTURER
OF ENTERTAINMENT VOCAL SYSTEM



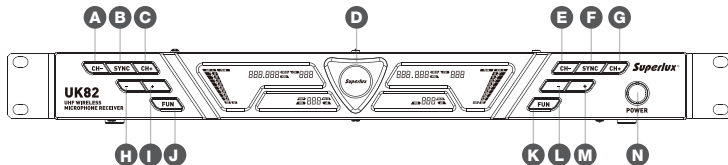
FEATURES

- UK82 is equipped with UHF ultra-high frequency range to provide less interference than the traditional VHF frequency range and provide higher fidelity and more reliable transmission.
- UK82 features digital frequency-hopping spread spec-trum (FHSS) technique. With up to 200 selectable fre-quencies in 640MHz - 690MHz (20 selectable frequen-cies in 748MHz - 758MHz / 8 selectable frequencies in 863MHz - 865MHz). UK82 allows multi-sets of systems to work at the same time without interference.
- The advanced automatically frequency pairing technology enables the transmitter to target the channel automatically by just pressing the button even if the frequencies of the transmitter and the receiver are not matched.
- The special designed high-and-low power switch function not only provides the smooth transmission in high-power transmission occasions (like gathering place) but also is able to save the battery power in low-power transmission occasions (like classroom or KTV room).
- The unique locking function of the receiver avoids misoperation.
- High quality LCD screen to provide clear understanding of the working status.
- Built-in automatically mute and turn off when idle.

LED DESCRIPTION

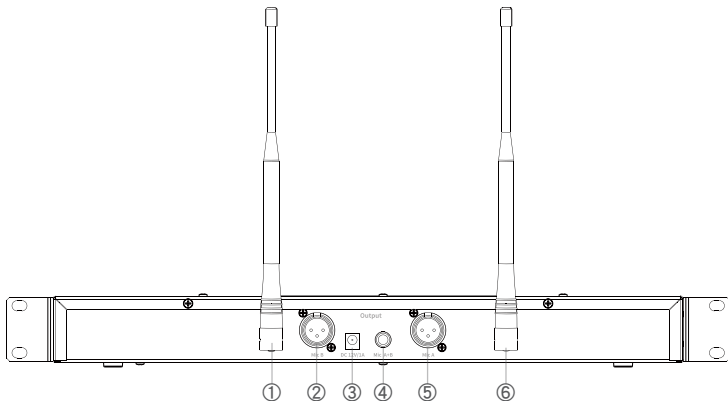


PANEL FUNCTION DESCRIPTION



- | | | |
|--------------------------------------|----------------------------------|----------------------------------|
| A CH-A Frequency - | F CH-B Setting | K CH-B Automatically Scan |
| B CH-A Setting | G CH-B Frequency + | L CH-B Volume - |
| C CH-A Frequency + | H CH-A Volume - | M CH-B Volume + |
| D Infrared Transmitter Window | I CH-A Volume + | N Power ON/OFF |
| E CH-B Frequency - | J CH-A Automatically Scan | |

REAR PANEL DESCRIPTION



- ① CH-B Antenna socket
- ② CH-B Audio balanced output: Suitable for long-distance connection to reduce the noise derived from the cable effectively
- ③ Power socket: DC12V 1000mA power input socket. The central electrode of the socket is connected to the positive pole
- ④ Audio mixed output: Mixing the signal from A and B channels into one output
- ⑤ CH-A Audio balanced output: Suitable for long-distance connection to reduce the noise derived from the cable effectively
- ⑥ CH-A Antenna socket

RECEIVER OPERATION

1. Power ON / OFF

Power ON: Press the power “ON / OFF” button to turn on the power. The LCD lights up.

Power OFF: Press the power ON / OFF button for 3 secs to turn off the power. The LCD lights out.

2. Change the frequency point

Press the “UP / DOWN” button to increase or decrease the frequency. After changing the frequency, the related channel indication flashes. Press “SYNC” button to confirm the change. Then turn on the handheld microphone, align the LCD of the handheld microphone to the IR window of the receiver. Press the “SYNC” button of the receiver again and wait for 5 seconds. After that, the frequency of the handheld microphone will be automatically synchronized to the frequency of the receiver (host). Now “change the frequency point” procedure is completed.

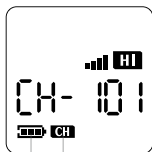
3. Lock and unlock the receiver

When the power is on, press the “FUN” button on the left and right side for three seconds until the LCD screen lights up to lock and unlock the receiver. When the receiver is locked, there will be lock sign on the LCD screen. The lock sign will disappear when unlock. It is only able to do turn ON / OFF under the locked condition. The other operations are not allowed under the locked condition.

4. Automatically search the unoccupied channel

Press “FUN” button for 3 seconds and the frequency and the channel sign start to flicker. Press “CH-” or “CH+” button to search the unoccupied channel automatically. When the phase of searching the unoccupied channel is completed, the “SCAN” sign will show up on the LCD screen. Then turn on the handheld microphone, align the LCD screen of the handheld microphone to the IR window of the receiver (host) to complete IR frequency pairing.

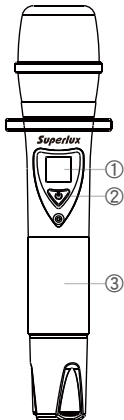
MICROPHONE DESCRIPTION



① ②

Microphone LCD Screen Description

- ① Battery bar indicator. When the battery shows 1 grid, it means it is in low battery. Please change the battery immediately.
- ② Channel Display.



Microphone Main Parts Description

- ① Microphone LCD screen.
- ② Microphone ON / OFF Button
Press to turn on the microphone and press 3 seconds to turn off the microphone.
- ③ Battery case. Open the battery case to assemble the batteries into the battery case. (2 × AA batteries).



WARNING!

When leaving or not going to use the microphone for a long time, please do take out the battery from the battery case to avoid the leakage to damage the microphone.

HANDHELD WIRELESS MICROPHONE OPERATION

1. High-Low power switch

In order to adapt to different occasions, the wireless handheld microphone features the high-low power switch. When the switch is at “H” (high power) position, the transmit power of the microphone is the highest, the distance is farthest, and the power consumption is much larger. When the switch is at the “L” (low power) position, the transmit power of the microphone is lower, the distance is shorter, and the power consumption is smaller. The user can choose the suitable setting according to the occasions.

2. IR frequency pairing

Press the “SYNC” button of the receiver (host) to enter the IR frequency pairing mode. For the handheld microphone, turn on the handheld microphone first and remove the cover at the end of microphone. Align the IR sign of the microphone to the IR window of the receiver. Press the “SYNC” sign again to synchronize the frequency point between the receiver and the transmitter.

3. ON and OFF operation

When pressing the “ON / OFF” button, the LCD screen of the microphone lights up and shows the related information including working frequency (channel), battery capacity, etc. Please check the battery capacity level every time when turning on the microphone and decide whether to change the battery or not according to the use time. Under normal situation, a pair of AA alkaline batteries can operate 8 hours. When there is only one battery level left, it means that the battery capacity is going to be used up. Please change the alkaline battery immediately. The backlight of the LCD will extinguish automatically and go into the energy saving model few seconds after turning on the microphone. If it is needed to check the LCD information when operation, please click the power ON / OFF button. When long pressing the “ON /

OFF” button for around 3 seconds, the LCD screen shows “OFF” and the microphone will be turned off after that. If the microphone will not be used for a long time, please take out the battery to avoid the alkaline battery leakage and corrode the PCB and the microphone.

4 .Assemble the battery

Take out the handheld microphone and open the battery case. Follow the position indication to put into 2 x AA alkaline batteries. Then close the battery case.

5. Automatically mute and turn off when idle

When the transmitter is on, long press the “ON / OFF” button for 10 seconds. The transmitter will turn off and restart again with ON sign. Then the transmitter is now in the Auto Mode. To exit the Auto Mode, long press the “ON / OFF” button for 10 seconds again. The transmitter will turn off and restart again with the OFF sign. Under the Auto Mode, the Mute Mode will turn on after placing horizontally for 5 seconds. The Mute Mode will turn off when picking up the transmitter during the Mute Mode. The transmitter will turn off automatically when placing horizontally for 10 minutes.

6. The ID of the receiver and the transmitter have been paired before leaving the factory. It is not allowed to use other transmitter with the receiver.

SPECIFICATIONS

*Note: Specifications are subject to change.

Modulation Type	FM + Digital Auxiliary Channel
S/N	95 dB (A-weighted, 1kHz 1%)
THD	0.57% 1KHz
Max. SPL	130 dB SPL
Operation Distance	50m (Outdoor, within visual range)
Audio Frequency Response	80-16,000Hz
Carrier Frequency Range / Numbers of Channel	640MHz - 690MHz / 200 Channels 748MHz - 758MHz / 20 Channels 863MHz - 865MHz / 8 Channels
Receiver Sensitivity	-95 dBm
Receiver Power Supply	AC 100-240V DC12V 1000mA
Transmitter Current	≤130mA @ 3V
Transmit RF Power	<13 dBm
Transmitter Power Supply	2×AA



PRECAUTIONS!

To ensure the better experience, please read the user guide carefully before use. It will help you to know your microphone and obtain the best performance. Please save this user guide properly for future needs.

SAFETY USE

- For safety, please do not pull the cables but hold the plug when operation. Please do not damage the power cable to ensure the safety.
- Please use the adaptor furnished only. Please make sure the power voltage meets the furnished adaptor (provide 12V DC). It may damage the equipment if using other adaptor provided by other manufacturers.
- Please keep this equipment away from the environment with high temperature, humidity, dust and liquid to avoid failure.
- Please do not collide, throw, vibrate the equipment to avoid damage.
- Please do not open and/or modify the receiver, microphone and adaptor. Users are not allowed to modify the equipment. It is only able to perform repair by the authorized repairing center.
- If there is any error, for example, smoke and peculiar smell etc., please pull off the adaptor immediately and send the products to the repairing center.
- It is prohibited to use the batteries which the exterior insulation material is broken to prevent from shortcut.
- Please turn off the working equipment before leave if planning to leave for a long time. Pull off the adaptor as well.
- Please do not reverse the positive and negative terminals of the battery. Please take out the battery when the microphone has not been used for a long time to avoid the leakage damage the interior electrical components.
- Please prevent water, tea, or wine from going into the microphone.
- Please do not put the microphone into the microwave oven.
- Please do not throw the battery when it is discarded. It should be placed in the designated recycling bin.
- If the product is malfunction, please contact the distributors immediately. Please do not take apart the equipment or the warranty will be invalid.

PRECAUTIONS FOR USE

1. How to use the wireless handheld microphone properly

- Please hold the center of the microphone. Please do not hold too close to the grille parts or it will affect the pickup effect of the microphone. If holding too close to the end antenna area, it will decrease the transmit efficiency of the antenna and decrease the using distance.
- Adjust the distance between microphone and mouth to increase or decrease the sensitivity of the high and low sounds.
- There is antenna built in the microphone body so that please do not approach it to large metal piece, or it will decrease the performance.
- When the LCD screen shows only 1 battery bar left, please change the new battery immediately to avoid the microphone from shutdown automatically.

2. How to use the receiver properly

- Please do not put the receiver under the speaker equipment. Please assemble the receiver at the height of more than 1 meter over the ground.
- The receivable range of the receiver is related to multi factors which varies from occasions. Basically, it will obtain better transmit effect without large metal pieces at the middle of the transmit direction.

3. How to use multi-sets of wireless microphones at one occasion properly

- When using multi-sets of microphones at on occasion, please do not use the same channel and frequency in order to avoid interference to each other.
- When using multi-sets of microphones together, please leave at least 20cm between each two microphones. Please adopt low power to avoid interference to each other if transmission distance if enough.
- If using the microphone at the low power occasions, like KTV room, school classroom, the working system qty's are not limited.
- When testing whether the channel has been occupied or not, it is able to tune the receiver to the same channel. If the signal bar is less (only 2 signal bar left) on the LCD screen of the receiver, it means the signal has been occupied.



LIMITED WARRANTY

For compliance with the instructions which record in the user manual, Superlux Enterprise provide one year period warranty for all material and producing quality from purchase date. This warranty term will adjust according to different country or area. Please contact local distributor to receive more information. In the validity period, if there's any material, producing quality, or any function unavailable, Superlux will repair or replace the parts. This warranty is only for the product which selling by distributor or agent which authorized by Superlux. However, the situation below is excluded in the warranty : The damage which caused by accident, abuse, improper instructions, self-modification and repair, or damage from transportation, not complying with the instructions which record in the manual, repair by the company which didn't authorized by Superlux Enterprise, request by distributor without authorized, or the serial number sticker on Superlux product is unidentified, modified, or removed. All repair of Superlux products can only accept from repair centre, distributor or agent which authorized by Superlux. Unauthorized repair, maintenance and modification will not receive relevant warranty and will be excluded in the warranty. Any repair guarantee under warranty need to provide selling receipt from authorized distributor or agent to make sure your Superlux product still in the warranty period. To obtain the original authorized repair warranty, please contact authorized distributor, agent or send an e-mail to support@superlux.com.tw to contact us.



WARNING! INDICATES A POTENTIALLY HAZARDOUS SITUATION WHICH IF MISHANDLED COULD RESULT IN DEATH OR SERIOUS PERSONAL INJURY OR PROPERTY DAMAGE.

- ※Do not expose the unit to rain or an environment where it may be splashed by water or other liquids as doing so may result in fire or electric shock.
- ※Do not attempt to modify this product. Doing so could result in personal injury and/or product failure.
- ※Do not subject to extreme force and do not pull on the cable, it might cause the product failures.
- ※Keep this product and the equipment which used together dry and avoid to exposure to extreme high temperature and humidity.