

SF FLAGSHIP SERIES

Sound Reinforcement Speakers

The SF Flagship Series includes 8-inch, 10-inch, 12-inch, 15-inch full-range speakers including active and passive models, and an 18-inch active subwoofer. Active models include high efficiency class-D power amplifiers.

Superlux[®]

Manufacturing & logistics

Superlux Enterprise
Development(Shanghai)Co., Ltd.
Marketing and sales

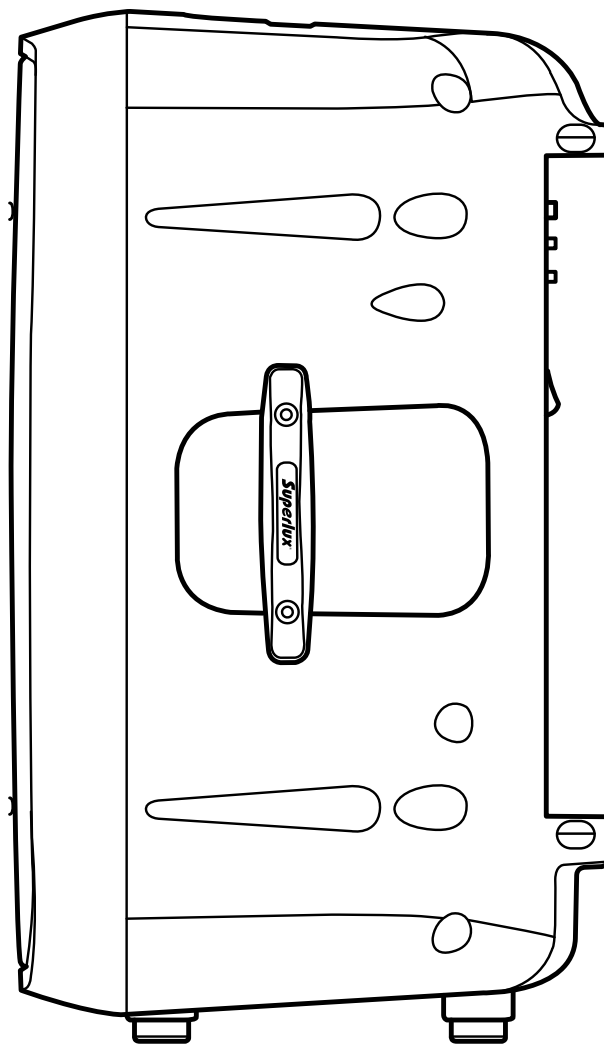
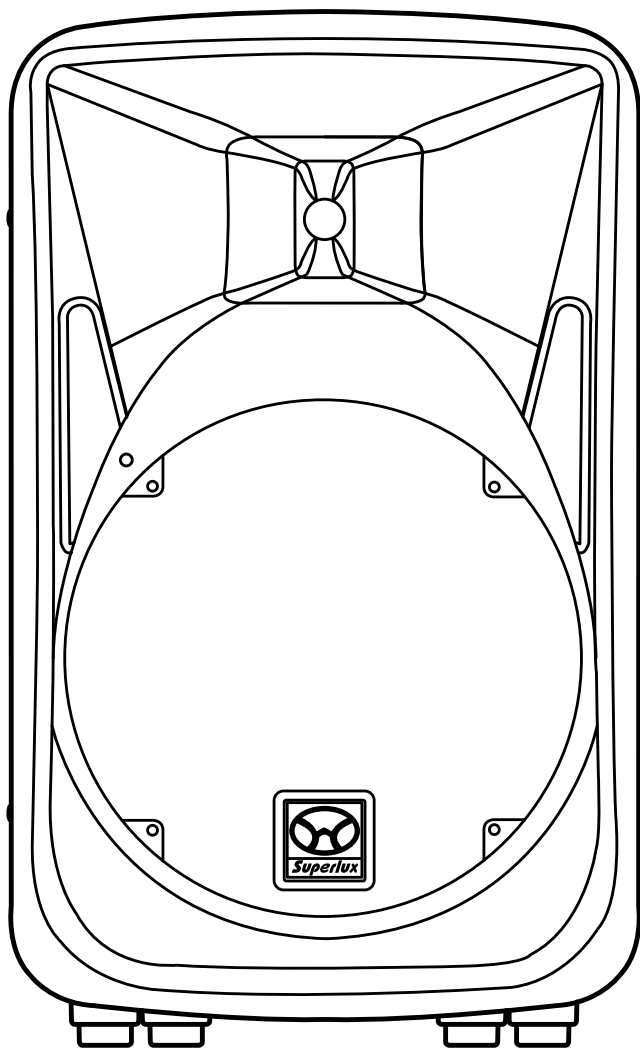
Superlux Taiwan

+886-2-26931323

sales@superlux.com.tw

support@superlux.com.tw

www.superlux.com.tw



SF FLAGSHIP SERIES

Sound Reinforcement Speakers

The SF Flagship Series includes 8-inch, 10-inch, 12-inch, 15-inch full-range speakers including active and passive models, and an 18-inch active subwoofer. Active models include high efficiency class-D power amplifiers.

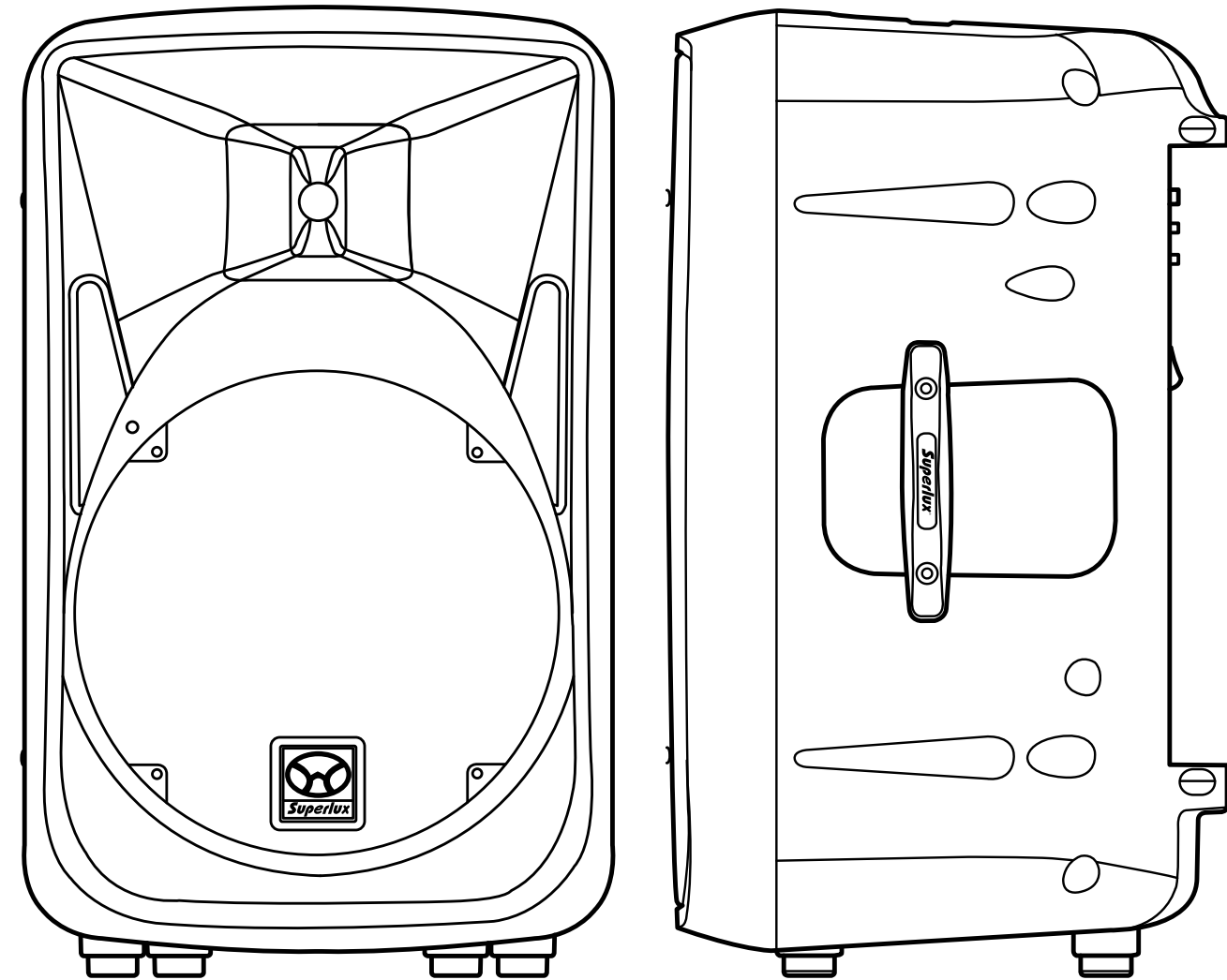
Superlux®

Manufacturing & logistics

Superlux Enterprise Development(Shanghai)Co., Ltd.
Marketing and sales

Superlux Taiwan
+886-2-26931323
sales@superlux.com.tw
support@superlux.com.tw

www.superlux.com.tw



SF FLAGSHIP SERIES

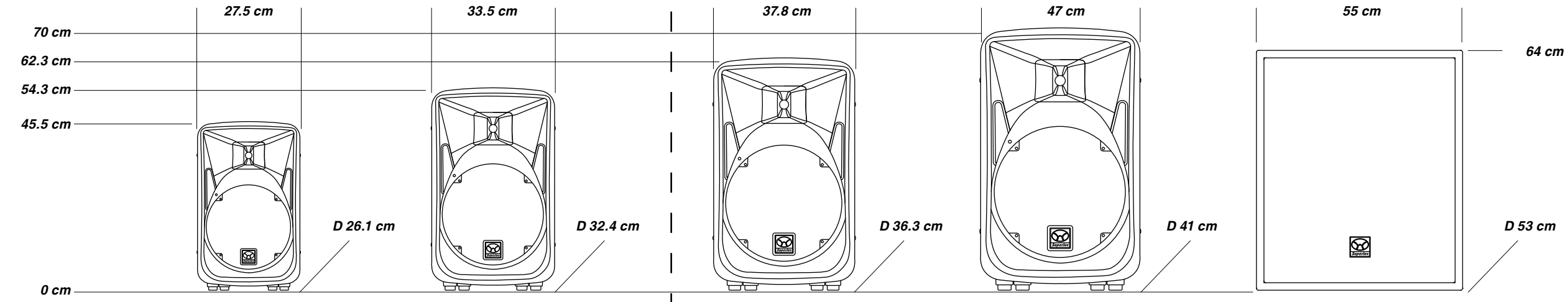
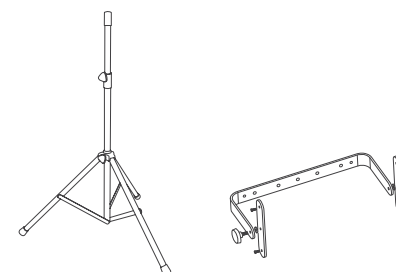
Specifications

Full-range Speakers

- Both passive and active versions are available in the SF series
 - Neodymium transducer provides incredibly deep bass and acoustic power
 - High-output precision titanium compression driver
 - One piece structure of rear panel and heat-sink provides optimized cooling
 - Molded composite cabinet is lightweight for ultimate portability
 - 45 and 55 degree angles for aiming up toward performers when used as a floor monitor
 - Flyable, pole mountable, floor wedge-angle, stackable and wall mountable
- #### Active models plus
- 2-way bi-amplified, optimized active speaker system
 - Built-in limiters and optimized protection circuitry
 - Built-in active crossover with 24 dB/oct 4th order
 - Mic/Line input and loop out with XLR jacks

Optional Accessories

SPS410B Tripod Stand
U-bracket mounting kit



Passive Speaker	SF108 8-inch Passive Speaker	SF110 10-inch Passive Speaker
	· 600W peak power handling · 1.75-inch HF compression driver	· 1400W peak power handling · 1.75-inch HF compression driver

Active Speaker	SF108A 8-inch Active Speaker	SF110A 10-inch Active Speaker
	· 200W RMS power amp · Built-in 2-channel mixer with mic and line inputs for small PA applications · Balanced line output for daisy-chain as many units as needed	· 200W RMS power amp · Built-in 2-channel mixer with mic and line inputs for small PA applications · Balanced line output for daisy-chain as many units as needed

Specifications: Passive Version		
Model No.	SF108	SF110
Power Handling RMS/Peak	150 W / 600 W	150 W / 600 W
Rated Impedance	8 Ω	8 Ω
Sensitivity @1W/1m	93 dB SPL	94 dB SPL
Max. Peak SPL	121 dB SPL	122 dB SPL
Protection	Internal overload Lamp on HF driver	Internal overload Lamp on HF driver
Connectors	2x Speakon-style	2x Speakon-style
Net Weight	8 kg (17.6 lbs)	10.4 kg (22.9 lbs)

Specifications: Active Version		
Model No.	SF108A	SF110A
LF Power Amp	150 W RMS (Class AB)	150 W RMS (Class AB)
HF Power Amp	50 W RMS (Class AB)	50 W RMS (Class AB)
Input Sensitivity	Line: 0.775 V (0 dBu)	Line: 0.775 V (0 dBu)
Max. Peak SPL	120 dB SPL	121 dB SPL
Crossover Frequency	2.4k Hz	2.4k Hz
EQ or HPF	-	-
Input Impedance	Line: 20k Ω Mic: 2k Ω	Line: 20k Ω Mic: 2k Ω
Connectors	Input: XLR3F(mic) and Combo(line) Mixed output: 1/4"	Input: XLR3F(mic) and Combo(line) Mixed output: 1/4"
AC Connector	Male IEC	Male IEC
Indicators	Front: Power-White Rear: Signal-Green; Overload-Red	Front: Power-White Rear: Signal-Green; Overload-Red
Power Requirement	115V / 60 Hz 230V / 50 Hz	115V / 60 Hz 230V / 50 Hz
Net Weight	9.6 kg (21.1 lbs)	12 kg (26.4 lbs)

Common Specifications		
Type	8-inch, two-way	10-inch, two-way
Frequency Response (-10 dB)	60 Hz -18 kHz	55 Hz -18 kHz
Driver	LF: L8F Ferrite, 8"(200 mm) HF: H25F, 1" (25.4 mm)	LF: L10F Ferrite, 10"(254 mm) HF: H25F, 1" (25.4 mm)
HF Horn Coverage Angles	90°x45° (H xV)	90°x45° (H xV)
Angles for floor Monitor	45° & 55°	45° & 55°
Mounting Method	Integral 1 3/8" Pole Mount Receptacle	Integral 1 3/8" Pole Mount Receptacle
Suspension	4xM8 (2 on top, 2 on bottom)	5xM8 (2 on top, 2 on bottom, 1 on rear)
Enclosure Material	PP	PP
Finish	Black	Black
Dimensions (HxWxD)	45.5 x 27.5 x 26.1 cm 17.9 x 10.8 x 10.3 in.	54.3 x 33.5 x 32.4 cm 21.4 x 13.2 x 12.8 in.
Optional Accessories	SPS410B Speaker stand AX108 U-bracket mounting kit	SPS410B Speaker stand AX110 U-bracket mounting kit

SF112 12-inch Passive Speaker	SF115 15-inch Passive Speaker
· 1200W peak power handling · 1.75-inch HF compression driver	· 1400W peak power handling · 1.75-inch HF compression driver

SF112A 12-inch Active Speaker	SF115A 15-inch Active Speaker
· 400W RMS power amp	· 400W RMS power amp

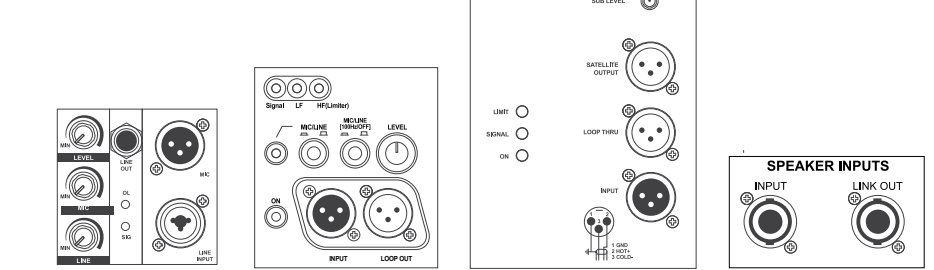
Model No.	SF112	SF115
Power Handling RMS/Peak	300 W / 1200 W	350 W / 1400 W
Rated Impedance	8 Ω	8 Ω
Sensitivity @1W/1m	98 dB SPL	99 dB SPL
Max. Peak SPL	129 dB SPL	130 dB SPL
Protection	Internal overload Lamp on HF driver	Internal overload Lamp on HF driver
Connectors	2x Speakon-style	2x Speakon-style
Net Weight	17.8 kg (39.2 lbs)	20 kg (44 lbs)

Model No.	SF112A	SF115A	SF118AS
Power Handling RMS/Peak	300 W RMS (Class D) 100 W RMS (Class AB)	300 W RMS (Class D) 100 W RMS (Class AB)	500 W RMS (Class D)
Input Sensitivity	Line: 1.23 V (+4 dBu)	Line: 1.23 V (+4 dBu)	Line: 0.775 V (0 dBu)
Max. Peak SPL	128 dB SPL	129 dB SPL	131 dB SPL
Crossover Frequency	2.4k Hz	2.4k Hz	100 Hz
Switchable 100Hz HPF	Switchable 100Hz HPF	Switchable 100Hz HPF	-
Input Impedance	Line: 20k Ω	Line: 20k Ω	Line: 23k Ω
Connectors	Input: XLR3F Loop Through: XLR3M	Input: XLR3F Loop Through: XLR3M	Input: XLR3F Loop through & Satellite out: 2x XLR3M
AC Connector	Male IEC	Male IEC	Male IEC
Indicators	Front: Power-White Rear: Power-Green; Signal-Green; Limiter-Red (LF, HF)	Front: Power-White Rear: Power-Green; Signal-Green; Limiter-Red (LF, HF)	Rear: Power-Green; Signal-Green; Limit-Red
Power Requirement	115V / 60 Hz 230V / 50 Hz	115V / 60 Hz 230V / 50 Hz	115V / 60 Hz 230V / 50 Hz
Net Weight	20 kg (44 lbs)	22.2 kg (48.9 lbs)	42.7 kg (94 lbs)

Type	12-inch, two-way	15-inch, two-way	18-inch subwoofer
Frequency Response (-10 dB)	50 Hz -18 kHz	45 Hz -18 kHz	38 Hz -135 Hz
Driver	LF: L12FN Neodymium, 12" (304 mm) HF: H44F, 1.75"(44 mm)	LF: L15FN Neodymium, 15" (381 mm) HF: H44F, 1.75"(44 mm)	L18AS Ferrite, 18" (381 mm)
HF Horn Coverage Angles	90°x45° (HxV)	90°x45° (HxV)	-
Angles for floor Monitor	45° & 55°	45° & 55°	-
Mounting Method	Integral 1 3/8" Pole Mount Receptacle	Integral 1 3/8" Pole Mount Receptacle	Integral 1 3/8" Pole Mount Receptacle
Suspension	5xM8 (2 on top, 2 on bottom, 1 on rear)	5xM8 (2 on top, 2 on bottom, 1 on rear)	-
Enclosure Material	PP	PP	MDF
Finish	Black	Black	Black
Dimensions (HxWxD)	62.3 x 37.8 x 36.3 cm 24.5 x 14.9 x 14.3 in.	70 x 47 x 41 cm 27.5 x 18.5 x 16.1 in.	64x55x53 cm 25.5x22x21 in.
Optional Accessories	SPS410B Speaker stand AX112 U-bracket mounting kit	SPS410B Speaker stand AX115 U-bracket mounting kit	SPA01 subwoofer pole

Specifications are subject to change without notice.

Control and Connecting Panel:



Active Version SF108A, SF110A
 Active Version SF112A, SF115A
 Active Subwoofer SF118AS
 Passive Version SF108, SF110, SF112, SF115

DESIGNED FOR PERFORMANCE

This speaker series has been carefully designed from the ground up to ensure that all of the necessary components for a portable system will work together in the most efficient manner, not only providing increased performance levels but also reliability. These design improvements have extended also into the construction of the speakers, making them sturdier than ever and tough enough to handle the impacts incurred by road use. The SF series will satisfy the demand by professional users for a 3-way speaker system that is light weight, portable and tough while also delivering superior sound quality.

LOW FREQUENCY

The low frequency driver with neodymium magnet is light but can deliver a smooth frequency response while handling very high sound pressure levels. The large diameter voice coil offers not only efficiency, but exceptionally low distortion for truly clean lows.

HIGH FREQUENCY

Featuring a high quality voice coil, the HF compression driver is used to deliver crystal clear highs. The 90°x45° directivity waveguide horn ensures broad, consistent coverage over the entire audience area.

RELIABILITY

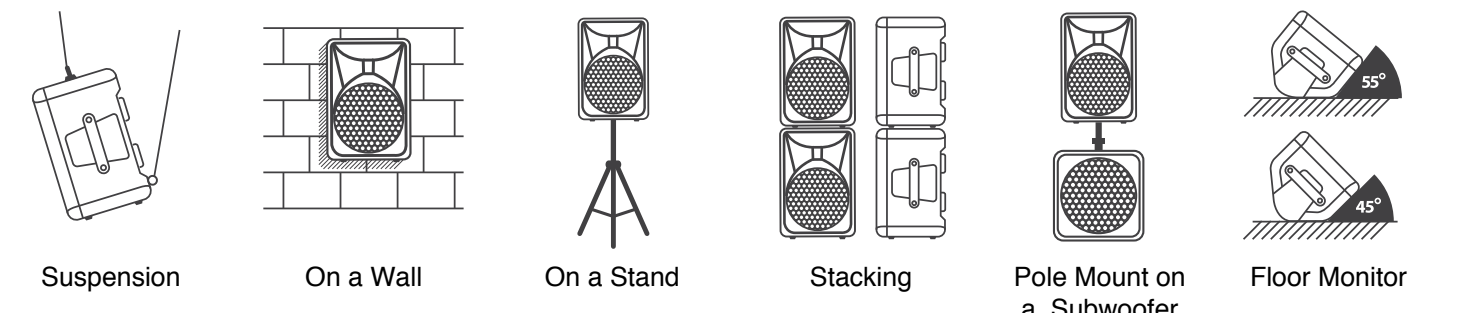
All Superlux loudspeakers must endure extremely tough testing, including an overload test, to ensure years of reliable service. Active models' large integrated diecast heat-sinks, offering an exceptionally efficient cooling system, combined with built-in HF and LF protective circuitry and an extremely rugged composite enclosure with metal grille, ensure that all Superlux loudspeakers can withstand the rigors of road abuse.

EASY TO HANDLE

The SF series has been designed for maximum ease in handling from storage to the back of your car to the gig or the stage. Through careful modeling and real-life testing, handle locations have been positioned at the exact balance points, ensuring easy handling when carrying these speakers. The molded cabinets have one handle on top and one handle on the side, making it equally easy to place the loudspeaker on a tripod stand or into the back of your car.

VERSATILE PLACEMENT

The SF series is everything you could need in a versatile loudspeaker system. With enclosures that feature both 45° and 55° angle sides and flexible connectivity, these loudspeakers are equally useful either as a main speaker or a low-profile monitor. A standard pole mount socket with stabilizing screw and built-in non-slip rubber feet allow both secure stand mounting and free standing configurations. Integrated standard M8 suspension points, plus an optional wall mount kit, make these systems easy to install to suit most applications.

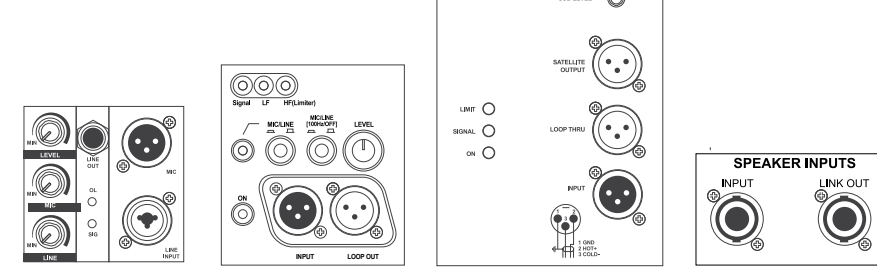


SF FLAGSHIP SERIES

Description

SF 旗艦系列

面板功能圖



- 有源機種 SF108A, SF110A
- 有源機種 SF112A, SF115A
- 有源超低音音箱 SF118AS
- 無源機種 SF108, SF110 SF112, SF115

工藝的呈現

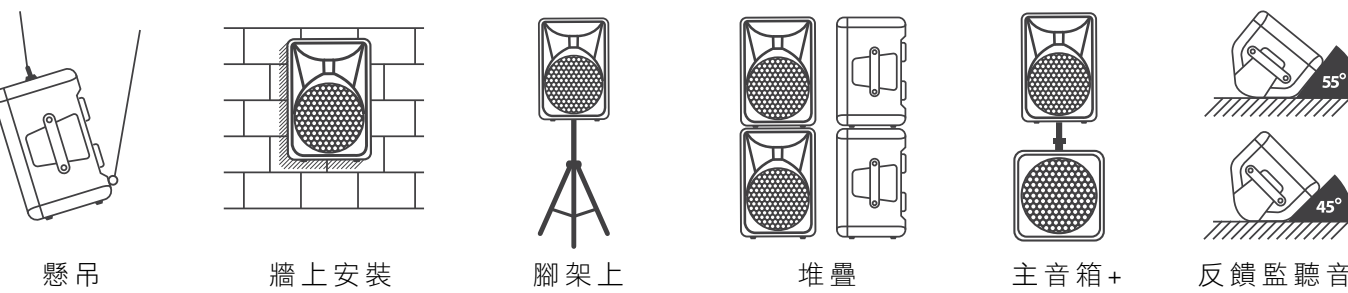
嚴謹的細節整合了所有擴聲音箱之必要元素，建構了全新工業設計造型的SF系列。結構耐衝擊、聲音撼動人心。全系列三音路系統，擁有重量輕、易於攜行、超耐用結構及高品質的音色，符合專業人士嚴格的要求。

低頻單元

採用鈹鐵材料，質輕效能大，大的音圈設計，提供高效率及低失真，確保重現乾淨正確的低頻音色。

高頻單元

高質量音圈，壓縮式驅動器，產生水晶般透明清晰的高頻，配上水平90度、垂直45度的導向號角，以獲得恆向性的角度控制。



懸吊 牆上安裝 腳架上 堆疊 主音箱+超低音音箱 反饋監聽音箱

SF 旗艦系列

規格

全音域音箱

- 含無源機種及有源雙功放主動式音箱
- 1.75吋壓縮式高頻驅動器
- 長衝程低頻鈹鐵驅動器重現極低頻及能量
- 高音壓輸出之精準鈹金屬壓縮式驅動
- 一體成形壓鑄散熱結構。提供最佳散熱效果

- 輕量化的塑料結構提供最佳的移動便利
- 45度及55度之反饋監聽音箱角度

- 可懸吊、音箱架安裝、牆面安裝、反饋監聽音箱及堆疊

有源機種再加工

- 雙功放及最佳化有源音箱系統
- 限幅器及最佳保護線路

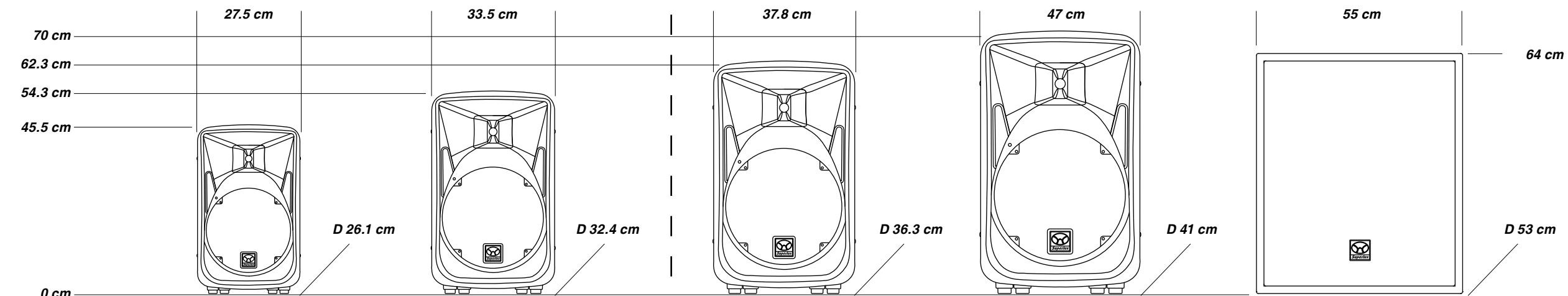
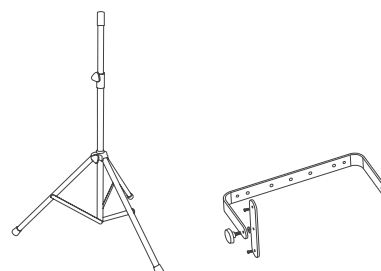
- 有源音箱內建6階/24dB主動分頻器

- 麥克風/高電平輸入及直接輸出接口(XLR)

選購配件

SPS410B 音箱立架

U型安裝架



無源音箱	SF108 8吋無源音箱	SF110 10吋無源音箱
承受功率	600瓦峰值承受功率	600瓦峰值承受功率
驅動器	1.75吋壓縮式高頻驅動器	1.75吋壓縮式高頻驅動器
有源音箱	SF108A 8吋有源音箱	SF110A 10吋有源音箱
功率	200瓦均方根功率擴大機	200瓦均方根功率擴大機
輸入	內建2聲軌之調音台含麥克風及高電平輸入	內建2聲軌之調音台含麥克風及高電平輸入
輸出	平衡式輸出可外接至多台SF108A	平衡式輸出可外接至多台SF110A

規格: 無源機種		
型號	SF108	SF110
承受功率	150 W / 600 W	150 W / 600 W
額定阻抗	8 Ω	8 Ω
靈敏度 @1W/1m	93 dB SPL	94 dB SPL
最大聲壓級	121 dB SPL	122 dB SPL
保護線路	內置高頻過載保護燈	內置高頻過載保護燈
接頭	2個專業喇叭接口相容於speakon	2個專業喇叭接口相容於speakon
淨重	8 kg (17.6 lbs)	10.4 kg (22.9 lbs)

規格: 有源機種		
型號	SF108A	SF110A
低音功放	150 W RMS (AB類)	150 W RMS (AB類)
高頻功放	50 W RMS (AB類)	50 W RMS (AB類)
輸入靈敏度	高電平: 0.775 V (0 dBu)	高電平: 0.775 V (0 dBu)
最大聲壓級	120 dB SPL	121 dB SPL
分頻點	2.4k Hz	2.4k Hz
等化器或高通濾波器	-	-
輸入麥克風阻抗	麥克風: 2k Ω 高電平: 20k Ω	麥克風: 2k Ω 高電平: 20k Ω
接頭	輸入: XLR3F(麥克風) & Combo(高電平) 混音輸出: 6.3 mm接口	輸入: XLR3F(麥克風) & Combo(高電平) 混音輸出: 6.3 mm接口
電源插座	IEC公座	IEC公座
指示燈 (背面)	正面: 電源-白色 背面: 訊號-綠色; 過載-紅色	正面: 電源-白色 背面: 訊號-綠色; 過載-紅色
電源需求	115V / 60 Hz 230V / 50 Hz	115V / 60 Hz 230V / 50 Hz
淨重	9.6 kg (21.1 lbs)	12 kg (26.4 lbs)

共同規格		
型式	8吋兩音路	10吋兩音路
頻率響應 (-10 dB)	60 Hz -18 kHz	55 Hz -18 kHz
驅動單元	低音單元: L6F 鈹氧纖, 8"(200 mm) 高頻: H25F, 1"(25.4 mm)	低音單元: L10F 鈹氧纖, 10"(254 mm) 高頻: H25F, 1"(25.4 mm)
高音號角涵蓋角度	水平90°; 垂直45°	水平90°; 垂直45°
反饋監聽音箱角度	45° 及 55°	45° 及 55°
安裝方式	內建35mm喇叭架插孔	內建35mm喇叭架插孔
懸吊點	4個M8 (頂部2個、底部2個)	5個M8(頂部2個、底部2個、背部1個)
箱體材質	聚丙稀 (PP)	聚丙稀 (PP)
顏色	黑色	黑色
尺寸(高×寬×深)	45.5 x 27.5 x 26.1 cm 17.9 x 10.8 x 10.3 in.	54.3 x 33.5 x 32.4 cm 21.4 x 13.2 x 12.8 in.
選購配件	SPS410B喇叭立架 AX108 U-型安裝吊架	SPS410B喇叭立架 AX110 U-型安裝吊架

SF112 12吋無源音箱	SF115 15吋無源音箱	SF118AS 18吋有源超低音音箱
承受功率	1200瓦峰值承受功率	1400瓦峰值承受功率
驅動器	1.75吋壓縮式高頻驅動器	1.75吋壓縮式高頻驅動器
功率	400瓦均方根功率擴大機	400瓦均方根功率擴大機

規格: 有源機種		
型號	SF112A	SF115A
承受功率	300 W / 1200 W	350 W / 1400 W
額定阻抗	8 Ω	8 Ω
靈敏度 @1W/1m	98 dB SPL	99 dB SPL
最大聲壓級	129 dB SPL	130 dB SPL
保護線路	內置高頻過載保護燈	內置高頻過載保護燈
接頭	2個專業喇叭接口相容於speakon	2個專業喇叭接口相容於speakon
淨重	17.8 kg (39.2 lbs)	20 kg (44 lbs)

規格: 有源機種			
型號	SF112A	SF115A	SF118AS
低音功放	300 W RMS (D類)	300 W RMS (D類)	500 W RMS (D類)
高頻功放	100 W RMS (AB類)	100 W RMS (AB類)	-
輸入靈敏度	高電平: 1.23 V (+4 dBu)	高電平: 1.23 V (+4 dBu)	高電平: 0.775 V (0 dBu)
最大聲壓級	128 dB SPL	129 dB SPL	131 dB SPL
分頻點	2.4k Hz	2.4k Hz	100 Hz
等化器或高通濾波器	可切換100 Hz高通濾波器	可切換100 Hz高通濾波器	-
輸入麥克風阻抗	高電平: 20k Ω	高電平: 20k Ω	高電平: 23k Ω
接頭	輸入: XLR3F 迴路串出: XLR3M	輸入: XLR3F 迴路串出: XLR3M	輸入: XLR3F 迴路串出 & 主音箱輸出: 2個 XLR3M
電源插座	IEC公座	IEC公座	IEC公座
指示燈 (背面)	正面: 電源-白色 背面: 電源-綠色; 訊號-綠色; 高頻及低頻限幅-紅色	正面: 電源-白色 背面: 電源-綠色; 訊號-綠色; 高頻及低頻限幅-紅色	正面: 電源-綠色; 背面: 訊號-綠色; 限幅器-紅色
電源需求	115V / 60 Hz 230V / 50 Hz	115V / 60 Hz 230V / 50 Hz	115V / 60 Hz 230V / 50 Hz
淨重	20 kg (44 lbs)	22.2 kg (48.9 lbs)	42.7 kg (94 lbs)

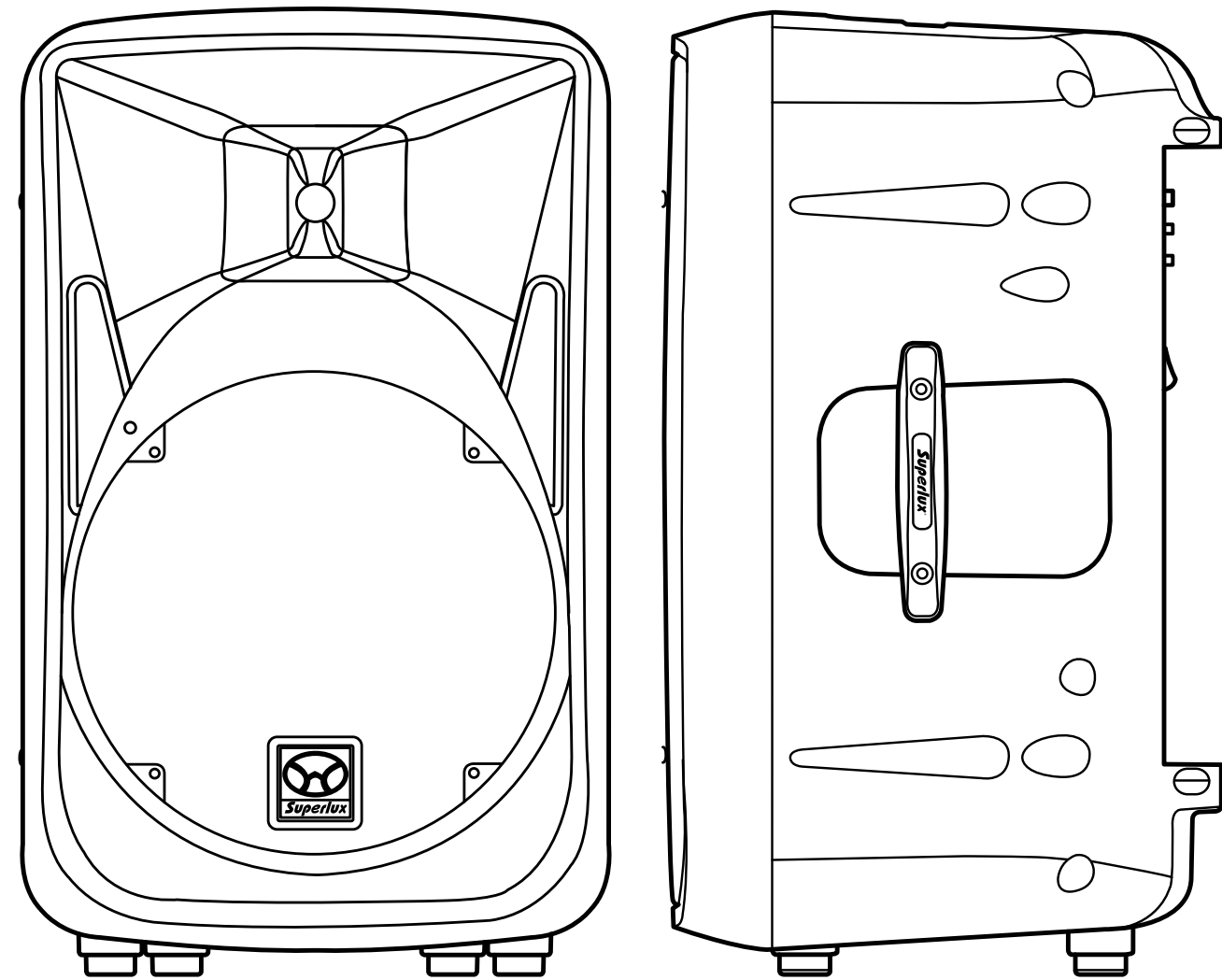
共同規格			
型式	12吋兩音路	15吋兩音路	18吋超低音
頻率響應 (-10 dB)	50 Hz -18 kHz	45 Hz -18 kHz	38 Hz -135 Hz
驅動單元	低音單元: L12FN 鈹纖, 12" (304 mm) 高頻: H44F, 1.75"(44 mm)	低音單元: L15FN 鈹纖, 15" (381 mm) 高頻: H44F, 1.75"(44 mm)	L18AS 鈹氧纖, 18" (381 mm)
高音號角涵蓋角度	水平90°; 垂直45°	水平90°; 垂直45°	-
反饋監聽音箱角度	45° 及 55°	45° 及 55°	-
安裝方式	內建35mm喇叭架插孔	內建35mm喇叭架插孔	內建35mm喇叭架插孔
懸吊點	5個M8(頂部2個、底部2個、背部1個)	5個M8(頂部2個、底部2個、背部1個)	-
箱體材質	聚丙稀 (PP)	聚丙稀 (PP)	MDF 木板
顏色	黑色	黑色	黑色
尺寸(高×寬×深)	62.3 x 37.8 x 36.3 cm 24.5 x 14.9 x 14.3 in.	70 x 47 x 41 cm 27.5 x 18.5 x 16.1 in.	64x55x53 cm 25.5x22x21 in.
選購配件	SPS410B喇叭立架 AX112 U-型安裝吊架	SPS410B喇叭立架 AX115 U-型安裝吊架	SPA01音箱桿

規格變更, 不另行通知

SF 旗艦系列

擴聲音箱

本系列產品包括8吋、10吋、12吋、15吋全音域塑箱擴聲音箱，含D類高效率功放有源機種及無源機種，以及18吋有源超低音音箱。



Superlux

舒伯樂

中國地區營銷和業務
旭廣企業發展(上海)有限公司
021-69223756
shsales@superlux.com.tw
support_cn@superlux.com.tw

國際營銷和業務

Superlux 舒伯樂 台灣
+886-2-26931323
sales@superlux.com.tw

www.superlux.com.tw